




**INSTRUCTION MANUAL IM-125**  
**For Gas Turbine and Steam Turbine**  
**Tensioned Studs and Nuts**

Applicable Bolting Connections

- Fr. 7FA Gas Turbine to 7FH2 Generator
- Fr. 7FA Gas Turbine to Load Coupling
- Fr. 7FB Gas Turbine to 7FH2 Generator
- Fr. 7FB Gas Turbine to Load Coupling
- Load Coupling or Steam Turbine to 7FH2 Gen

Applicable GE Ordering Sheet Part Numbers

358A7202P001	361A5218P001	377A9477P001	382A6121P003
358A7202P002		377A9477P002	382A6121P004
358A7202P012		377A9477P003	382A6121P006
358A7202P018		377A9477P004	
358A7202P020		377A9477P005	
358A7202P031		377A9477P006	
358A7202P032			

		<b>GE Power Generation</b>		GENERAL ELECTRIC COMPANY	
<b><u>VENDOR SUPPLIED</u></b>					
GE NOT TO REVISE. GE REVISION LEVEL IS SHOWN ON THIS APPLIQUE.					
THIS DOCUMENT IS FILED UNDER THE GE DRAWING NUMBER.					
THIS DOCUMENT SHALL BE REVISED IN ITS ENTIRETY. ALL SHEETS OF THIS DOCUMENT ARE					
THE SAME REVISION LEVEL AS INDICATED IN THIS VENDOR SUPPLIED DRAWING APPLIQUE.					
MLI:				____ OF ____	
GE SIGNATURES		DATE	GE DRAWING NUMBER		REV
CHECKED:			373A4000		T
ISSUED:					

The Riverhawk Company reserves the right to update this document without dissemination or notice. The latest revision may be obtained by contacting Riverhawk Company or thru [www.riverhawk.com](http://www.riverhawk.com).

215 Clinton Road  
 New Hartford, NY 13413  
 Tel: +1 315 768 4855  
 Fax: +1 315 768 4941  
 Email: [info@riverhawk.com](mailto:info@riverhawk.com)

**Table of Contents**

Section	Description	Page Number
1.0	Cautions and Safety Warnings	3
2.0	Scope and GE Part Number Cross-Reference	4
3.0	Quick Checklist	6
4.0	General Preparations	9
5.0	Hardware Set Preparations	11
6.0	Stud and Nut Assembly	14
7.0	Hydraulic Tensioner Equipment Assembly	17
8.0	Assembly of Tensioner on Stud	20
9.0	Stud Tensioning	23
10.0	Thread Locking	25
11.0	Stud and Nut Removal	26
12.0	Storage Instructions	30
13.0	Frequently Asked Questions	31
14.0	Revision History	33
Appendix A1	18-Bolt Tensioning Pattern (GT-LC) Record Sheet	35
Appendix A2	16-Bolt Tensioning Pattern (LC-GEN) Record Sheet	36



215 Clinton Road  
 New Hartford, NY 13413  
 Tel: +1 315 768 4855  
 Fax: +1 315 768 4941  
 Email: info@riverhawk.com

GE DRAWING NUMBER	REV
3734000	T

## 1.0 Cautions and Safety Warnings

### WARNING

**Improper tool use and the failure to follow the correct procedures are the primary root causes of tool failures and personal injuries. A lack of training or experience can lead to incorrect hardware installation or incorrect tool use. Only trained operators with careful, deliberate actions should use hydraulic tensioners.**

### CAUTION

Personal injury and equipment damage can occur if the proper health and safety codes and procedures are not followed. Contact the site's health and safety office to determine all applicable safety rules and regulations.

### WARNING

The proper personal protective equipment must be worn at all times.

### CAUTION

It is especially important to check the condition of the conical thread used to tension the stud. Thread damage from previous abuse can lead to failure of the stud or tensioning equipment

### CAUTION

Riverhawk recommends that the tensioner should be returned to Riverhawk for periodic inspections. Replacement of obsolete tensioners is recommended. Functional upgrades are also recommended. The Riverhawk Service Returns Coordinator should be notified 3-6 months prior to a planned outage to schedule an inspection service.

### WARNING

A damaged burst disc must be replaced with a with a burst disc of the same design and pressure rating. Do not substitute a damaged burst disc with a different disc type, a different pressure rating, or a foreign object.

### WARNING

To avoid failure, ensure safety, and proper operation, the tensioner assembly must be installed on a stud in the flange before bleeding and pressurizing the tensioner. Do not use the tensioner at any pressure unless the tool is installed on a stud in a flange.

### CAUTION

Do not over extend the tensioner. Over extension can cause the piston to lose its seal and leak oil.



215 Clinton Road  
New Hartford, NY 13413  
Tel: +1 315 768 4855  
Fax: +1 315 768 4941  
Email: info@riverhawk.com

GE DRAWING NUMBER	REV
3734000	T

**CAUTION**

Personal injury and equipment damage can occur if the puller screw is not securely engaged with the tapered threads of the stud. Proper engagement is achieved when the puller screw is tight in the stud and the tensioner assembly is free to turn.

**WARNING**

The safety cage must be in place at all times. When the tensioner is pressurized hands must be kept out of designated areas to avoid any potential for personal injury.

**CAUTION**

Before threading the puller screw into the stud, carefully check the cleanliness of both the stud's and the puller screw's conical threads. Apply a light coat of clean turbine oil or a spray lubricant to the puller screw. This procedure will ease assembly and assure positive mating of the threads before tightening. Do not use "Never Seize" on the conical threads.

**CAUTION**

Do not tighten the nut while the tool is coming up to pressure; wait until pressure is achieved before attempting to tighten the nut with the spanner ring. If the tool is not properly installed, the tool could jump off the stud while coming up to pressure.

**CAUTION**

Do not exceed the maximum pressure marked on the tensioner. Excessive pressure can damage the stud and puller screw.

**WARNING**

**FIRE HAZARD:** DO NOT heat when puller assembly is in place. Personal injury or equipment damage may occur. Use of an Oxy-Acetylene torch is not recommended

**2.0 Scope**

This document describes the procedure to be used to install the stud and nut sets supplied by the Riverhawk Company in the flanges at the Turbine/Coupling, Coupling/Generator, and Steam Turbine/Generator connections.

The various frame configurations covered in this manual are listed in Sections 2.1 through 2.6 with differences as related to connective hardware defined. Listed also are the pertinent hardware drawings (HF-xxxx). These drawings as well as tooling drawings (HT-xxxx) form part of this manual.



215 Clinton Road  
New Hartford, NY 13413  
Tel: +1 315 768 4855  
Fax: +1 315 768 4941  
Email: info@riverhawk.com

GE DRAWING NUMBER	REV
3734000	T

### 2.1 Frame 7FA Gas Turbine to 7FH2 Generator

GE PART NUMBER	RIVERHAWK P/N	GE VENDOC P/N
GE 358A7202P001	HF-0771	GE 359B2514
GE 358A7202P002	HF-0771	GE 359B2514
GE 358A7202P012	HF-0771	GE 359B2514

The hydraulic tool used for installation and removal is Riverhawk HT-0342.

These hardware drawings depict the complete stud and nut package for the Gas Turbine to Load Coupling (2-1/4" size, Qty 18) as well as the Load Coupling to Generator (2-3/4" size, Qty 16).

### 2.2 Frame 7FA Gas Turbine to Load Coupling

GE PART NUMBER	RIVERHAWK P/N	GE VENDOC P/N
GE 358A7202P031	HF-2447	GE 359B2539
GE 358A7202P032	HF-2447	GE 359B2539
GE 361A5218P001	HF-2447	GE 359B2539

The hydraulic tool used for installation and removal is Riverhawk HT-0342.

These hardware drawings depict the complete stud and nut package for the Gas Turbine to Load Coupling (2-1/4" size, Qty 18).

### 2.3 Frame 7FB Gas Turbine to 7FH2 Generator

GE PART NUMBER	RIVERHAWK P/N	GE VENDOC P/N
GE 377A9477P001	HF-0771	GE 359B2514
GE 377A9477P002	HF-0771	GE 359B2514

The hydraulic tool used for installation and removal is Riverhawk HT-0342.

These hardware drawings depict the complete stud and nut package for the Gas Turbine to Load Coupling (2-1/4" size, Qty 18) as well as the Load Coupling to Generator (2-3/4" size, Qty 16).

### 2.4 Frame 7FB Gas Turbine to Load Coupling

GE PART NUMBER	RIVERHAWK P/N	GE VENDOC P/N
GE 377A9477P006	HF-2447	GE 359B239



215 Clinton Road  
 New Hartford, NY 13413  
 Tel: +1 315 768 4855  
 Fax: +1 315 768 4941  
 Email: info@riverhawk.com

GE DRAWING NUMBER	REV
3734000	T

The hydraulic tool used for installation and removal is Riverhawk HT-0342.

These hardware drawings depict the complete stud and nut package for the Gas Turbine to Load.

**2.5 Load Coupling or Steam Turbine to 7FH2 Generator**

GE PART NUMBER	RIVERHAWK P/N	GE VENDOC P/N
GE 358A7202P018	HF-0803	GE 359B2520
GE 382A6121P003	HF-0803	GE 359B2520
GE 382A6132P004	HF-0803	GE 359B2520
GE 377A9477P003	HF-0803	GE 359B2520
GE 377A9477P005	HF-0803	GE 359B2520

The hydraulic tool used for installation and removal is Riverhawk HT-0342.

These hardware drawings depict the complete stud and nut package for the Load Coupling or Steam Turbine to Generator (2-3/4" size, Qty 16).

**2.6 Hydraulic Tooling**

GE PART NUMBER	RIVERHAWK P/N	GE VENDOC P/N
GE 358A7202P020	HT-0342	GE 359B2500
GE 382A6121P006	HT-0342	GE 359B2500
GE 377A9477P004	HT-0342	GE 359B2500

**3.0 Quick Checklist**

The following checklist is intended as a summary of the steps needed to use the Riverhawk-supplied equipment. New personnel or those experienced personnel who have not used the Riverhawk equipment recently are encouraged to read the entire manual.

**EQUIPMENT INSPECTION**

- Check oil level in hydraulic pump.
- Check air pressure at 80psi [5.5 bar] minimum. (For air-driven pumps)
- Check hydraulic hose for damage.



215 Clinton Road  
 New Hartford, NY 13413  
 Tel: +1 315 768 4855  
 Fax: +1 315 768 4941  
 Email: info@riverhawk.com

GE DRAWING NUMBER	REV
3734000	T

- Test pump.
- Inspect tensioner for any damage.

**NUT AND STUD PREPARATION**

- Inspect studs and nuts for any damage.
- Clean the studs and nuts.
- Measure stud lengths. (VERY IMPORTANT)
- Install studs and nuts into the flange.
- Set stick-out dimension on the coupling side of the flange.
- Hand tighten nuts on turbine / generator side of flange.
- Verify stick-out measurement (**VERY IMPORTANT**)

**TENSIONING (Bolt Installation)**

- Check tensioner drawing for correct parts and part numbers.
- Apply a light coat of clean turbine oil or spray lubricant to the puller screw. **DO NOT USE “NEVER SEIZE” ON THE CONICAL THREADS.**
- Slide spanner ring over the puller screw.
- Install the tensioner on the stud in flange and slide spanner ring onto nut.
- Insert 1/2” hex Allen wrench into the back side of the stud.
- Tighten the puller screw. Then back off puller screw 1/2 a turn.
- Retighten the puller screw and leave tight. **DO NOT BACK OFF PULLER SCREW.**



215 Clinton Road  
 New Hartford, NY 13413  
 Tel: +1 315 768 4855  
 Fax: +1 315 768 4941  
 Email: info@riverhawk.com

GE DRAWING NUMBER	REV
3734000	T

- Bleed the tensioner. **Do NOT bleed tensioner off of a stud! Damage to the tool will result!**
- Tension to 50%. Consult manual for correct pressure.
- Use the pin wrench in spanner ring to tighten nut.
- Release pressure, move to next stud in pattern.
- Repeat above steps at final pressure.
- Measure final stud length and record on stretch datasheets. Calculate stretch.
- Torque the nuts' set screws.

**DETENSIONING (Stud Removal)**

- Loosen nuts' set screws
- Inspect and clean studs' conical threads. **Do not continue until ALL debris is removed from the threads!** See instruction manual IM-220. **Do not try to use the tensioner to remove a damaged stud!**
- Apply a light coat of clean turbine oil or spray lubricant to the puller screw. **DO NOT USE "NEVER SEIZE" ON THE CONICAL THREADS.**
- Slide spanner ring over the puller screw.
- Install the tensioner on the stud.
- Install spanner ring into nut.
- Tighten the puller screw. Then back off puller screw 1/2 a turn.
- Retighten the puller screw and leave tight. **DO NOT BACK OFF PULLER SCREW.**
- Bleed the tensioner. **Do NOT bleed tensioner off of a stud! Damage to the tool will result!**



215 Clinton Road  
 New Hartford, NY 13413  
 Tel: +1 315 768 4855  
 Fax: +1 315 768 4941  
 Email: info@riverhawk.com

GE DRAWING NUMBER	REV
3734000	T



- Apply final pressure.
- Loosen nut with the spanner ring and pin wrench.
- Move to next stud in pattern

#### 4.0 General Preparations

Read and understand all instructions before installing and tensioning studs.

Operators should be trained or have previous experience using Riverhawk tensioning equipment. Training will minimize the chance of improper use of the equipment.

The hydraulic tooling including the hydraulic hoses should be inspected prior to use. Inspection guidelines are listed in the following sub-sections.

This equipment produces very high hydraulic pressures and very high forces. Operators must exercise caution and wear the appropriate personal protective equipment when handling and operating the hydraulic tooling.

High-pressure oil from the hydraulic pump pressurizes the tensioner which generates a very large force that actually stretches the stud. As the stud is stretched the nut lifts off the flange. The nut is then turned by hand using the supplied spanner ring. Once the nut is tight against the flange, the pressure in the tensioner is released. The hardware is now clamping the flange together.

#### 4.1 Machine Preparation

The flange to be tensioned must be fully closed prior to positioning of studs in the flanges. Turning the turbine and generator shafts is not required, but may be useful. Also, it will be advantageous to remove as many obstructions as possible from the flange area, such as speed probes, shipping plates, and conduit.

#### 4.2 Hardware – Balance

Hardware is supplied as weight balanced sets. Studs and Nuts are interchangeable within sets. Do not intermix sets.

Save the weight certification supplied with each set. It will be needed for the purchase of replacement hardware.



215 Clinton Road  
New Hartford, NY 13413  
Tel: +1 315 768 4855  
Fax: +1 315 768 4941  
Email: info@riverhawk.com

GE DRAWING NUMBER	REV
3734000	T

### 4.3 Tensioner – Care and Handling

When not in use, the tensioner shall be maintained in a clean environment and all caps and plugs for hydraulic openings and fittings must be in place.

When in use, the tensioner shall be protected from sand and grit.

See section 12 for long term storage requirements.

### 4.4 Hand Tools

Several hand wrenches and micrometers will be required to perform installation and measurement of the studs:

5/8" wrench	A set of Allen Wrenches	9" to 10" micrometer
1" wrench	3' – 4' Breaker Bar	10" to 11" micrometer

### 4.5 Special Tools

Hydraulic Tensioner Kit:	HT-0342 Hydraulic Tensioner (reference GE VENDOC 359B2500)
--------------------------	---

Obsolete Hydraulic Tensioner Kits:	HT-0835 Hydraulic Tensioner <b>(OBSOLETE, replaced by HT-0342)</b>
------------------------------------	---

Hydraulic Pump Kit:	AP-0532 Air-Operated Hydraulic Pump (recommended) (reference GE VENDOC 359B2502)
---------------------	--

	MP-0130 Manual Hand-Operated Hydraulic Pump (reference GE VENDOC 359B2506)
--	---



215 Clinton Road  
New Hartford, NY 13413  
Tel: +1 315 768 4855  
Fax: +1 315 768 4941  
Email: info@riverhawk.com

GE DRAWING NUMBER	REV
3734000	T

**CAUTION**

**Riverhawk recommends that the tensioners be returned to Riverhawk for periodic inspections. Replacement of obsolete tensioners is recommended. Functional upgrades are also recommended. The Riverhawk Service Returns Coordinator should be notified 3-6 months prior to a planned outage to schedule an inspection service.**

**5.0 Hardware Set Preparations**

**5.1 Nut Preparation**



**Picture 1. Riverhawk Locknut**

If there is any visible damage on a nut, do not use the nut and contact the Riverhawk Company for a replacement nut. Please be prepared to supply the turbine number, weight certification, and digital photographs for evaluation.

**5.1.1 Nut Cleaning - New Installations**

For new installations, the nuts should come sealed from the factory and will need no cleaning.

**5.1.2 Nut Cleaning - Old Installations**

Previously installed nuts require cleaning as follows: Wire brush using a petroleum-based solvent to remove any foreign material on the external surfaces and threads.



215 Clinton Road  
New Hartford, NY 13413  
Tel: +1 315 768 4855  
Fax: +1 315 768 4941  
Email: info@riverhawk.com

GE DRAWING NUMBER	REV
3734000	T

### 5.1.3 Nut Cleaning - Very Old Installations

If previous installations employed a thread-locking compound, which will be visible as a grayish-green residue, remove as much of this compound as possible. Finish the cleaning process by rinsing in a volatile solvent such as acetone and allow to dry.

Riverhawk Company strongly recommends replacing this style of nut with the current nut with a re-useable mechanical locking feature.

### 5.2 Stud Preparation

Check the stud for any visible damage. If there is any visible damage, do not use the stud and contact the Riverhawk Company for a replacement stud. Please be prepared to supply the turbine number, weight certification, and digital photographs for evaluation.

#### CAUTION

**It is especially important to check the condition of the conical thread used to tension the stud. Thread damage from previous abuse can lead to failure of the stud or tensioning equipment.**

The conical threads of each stud must be clean of grit and dirt before installation or removal. This ensures the proper seating of the puller screw.

#### 5.2.1 Stud Cleaning - New Installations

For new installations, the studs should come sealed from the factory and will need no cleaning.

#### 5.2.2 Stud Cleaning - Old Installations

Previously installed studs may require cleaning. Clean conical threads should have a bright and shiny appearance.

If cleaning is required, follow these steps:

1. Blow out the threads with compressed air to remove loose debris and dry conical threads. Do not apply a solvent or other cleaning solution to the threads as this may chemically attack the stud.
2. Use Stud Cleaning Kit, GT-4253 or a similar 1" diameter Brass power brush.



215 Clinton Road  
New Hartford, NY 13413  
Tel: +1 315 768 4855  
Fax: +1 315 768 4941  
Email: info@riverhawk.com

GE DRAWING NUMBER	REV
3734000	T



**Picture 2.** Brass Power Brush

3. Insert the brush into an electric drill and set drill to run in a counterclockwise direction at high speed.
4. Work the drill in a circular motion while moving the brush in and out to clean all of the threads. Try not to hold the brush in one place too long, so as not to remove the stud's protective coating.
5. Blow out the threads with compressed air to remove loosened debris.
6. Visually inspect threads for cleanliness. Threads should be bright and shiny.
7. Repeat if any dirt can be seen in the threads.
8. Inspect threads for any damage that may have been caused by previous installation.
9. Do **not** apply thread lubricants such as "Never Seize" to the stud's threads.
10. Finish the cleaning process by rinsing in a volatile solvent such as acetone and allow to dry.

### 5.2.3 Stud Cleaning - Very Old Installations

If previous installation employed a thread locking compound, which will be visible as a grayish-green residue, remove as much of this compound as possible from the stud's threads.

Finish the cleaning process by rinsing in a volatile solvent such as acetone and allow to dry.

### 5.3 Stud Length Measurement

Measure and record the initial lengths of the studs. The following suggestions will improve your results.

- **Plan to start and finish any flange in the same day.**
- **Studs and flange must be at the same temperature.**
- **Number each stud with a marker for later stretch measurement tracking.**
- **Mark the location of measurement on stud end with a permanent marker.**



215 Clinton Road  
New Hartford, NY 13413  
Tel: +1 315 768 4855  
Fax: +1 315 768 4941  
Email: info@riverhawk.com

GE DRAWING NUMBER	REV
3734000	T

- Measure each stud to nearest 0.001 inch (.01 mm).
- Record each measurement on the supplied record sheets.
- Do not allow the measuring instruments to sit in the sun.
- The same person should make all measurements.

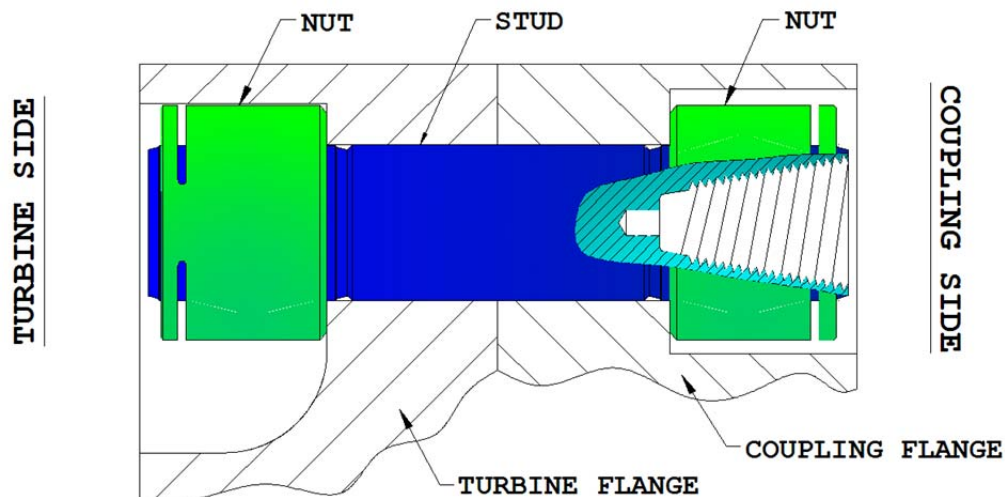
## 6.0 Stud and Nut Assembly

Refer to Hardware Set Part Number drawing listed in Section 2.0 of this manual.

Assemble the nut to the conical thread end (Tensioning End) of the stud.

Slide the assembly into the flange from the coupling side as shown in Figures 1 & 2 (on the next page) then install the other nut on the backside.

The nuts are the same on the Turbine end (2.25"). The nuts are different on the Generator end (2.75"); the shorter nut goes on the "back side" or the side closest to the Generator.



**Figure 1 – Cutaway View of Turbine Flange and Coupling Flange Bolted Joint**



215 Clinton Road  
 New Hartford, NY 13413  
 Tel: +1 315 768 4855  
 Fax: +1 315 768 4941  
 Email: info@riverhawk.com

GE DRAWING NUMBER	REV
3734000	T

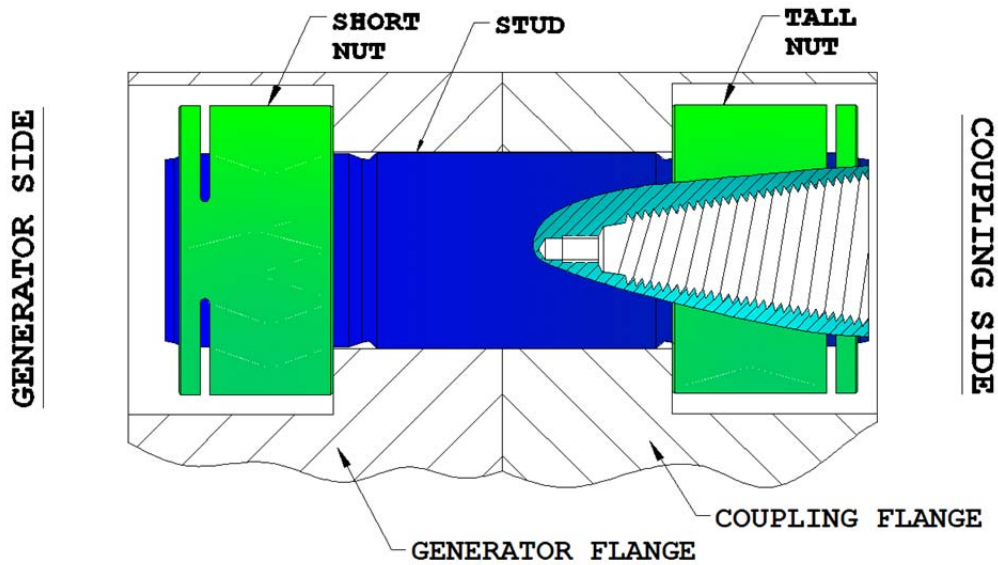


Figure 2 – Cutaway View of Generator Flange and Coupling Flange Bolted Joint

Adjust the stud/nut assembly so that the stud sticks out from the face of the nut the amount shown on the hardware set drawing. If you don't have a hardware set drawing, it can be found in the GE Vendocs system or contact Riverhawk Company. (See section 2)

**SETTING THE STICK-OUT LENGTH IS CRITICAL FOR THE HYDRAULIC TENSIONER TO WORK CORRECTLY.**

**THE STICK-OUT LENGTH IS ALWAYS SET FROM THE COUPLING SIDE OF THE FLANGE.**



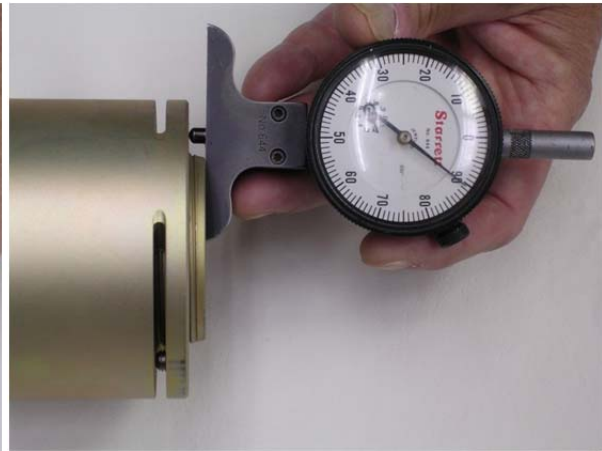
215 Clinton Road  
 New Hartford, NY 13413  
 Tel: +1 315 768 4855  
 Fax: +1 315 768 4941  
 Email: info@riverhawk.com

GE DRAWING NUMBER	REV
3734000	T

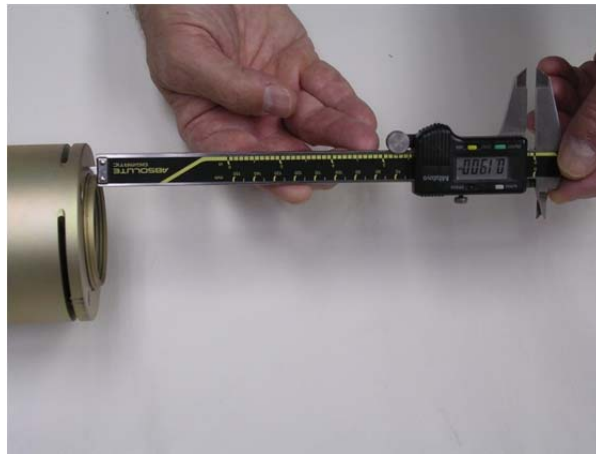
The stick-out length can be checked three different ways.



Stick-Out Gage



Drop Gage



Digital Calipers

**Sample Pictures of a Stick-Out Measurement**

**Hand tighten the assembly to a snug fit.** See Photos 1 & 2 for a view of the assembly of studs and nuts in the flange prior to tensioning.



215 Clinton Road  
New Hartford, NY 13413  
Tel: +1 315 768 4855  
Fax: +1 315 768 4941  
Email: info@riverhawk.com

GE DRAWING NUMBER	REV
3734000	T





Coupling Side  
Photo 1



Turbine / Generator Side  
Photo 2

## 7.0 Hydraulic Tensioner Equipment Assembly

### 7.1 Hydraulic Equipment Inspection

#### 7.1.1 Hydraulic Tensioner Inspection

#### CAUTION

**Riverhawk recommends that the tensioner be returned to Riverhawk for periodic inspections. Replacement of obsolete tensioners is recommended. Functional upgrades are also recommended. The Riverhawk Service Returns Coordinator should be notified 3-6 months prior to a planned outage to schedule an inspection service.**

Do **not** bleed the air from the hydraulic lines and tensioner at this time. See section 8 for bleeding instructions on when to bleed the air from the hydraulic lines.



215 Clinton Road  
New Hartford, NY 13413  
Tel: +1 315 768 4855  
Fax: +1 315 768 4941  
Email: info@riverhawk.com

GE DRAWING NUMBER	REV
3734000	T

**WARNING**

**To avoid failure, ensure safety, and proper operation, the tensioner assembly must be installed on a stud in the flange before bleeding and pressurizing the tensioner. Do not use the tensioner at any pressure unless the tool is installed on a stud in a flange.**

Check puller screw usage life with Riverhawk service bulletin SB-08001.

Clean puller screw and check for any debris and dents.

Puller screw should be free to rotate and move back and forth.

Seam between cylinders closed tightly.

Inspect the tensioner guard for any signs of damage including cracked welds. Any guards modified in the field should be replaced. Bent guards should be replaced. Also, be sure the rubber pad is in place on the end of the guard, if missing, replace.

Inspect the outside of the tensioner for discoloration patterns that may indicate submersion and internal damage.

Perform an inventory of the loose equipment supplied with the tensioner. An inventory list is provided on the tensioner's technical drawing (for example Riverhawk HT-xxxx). Replacement parts are available from Riverhawk.

**NOTE: Prior to Serial Number S/N 721 the HT-0342 was supplied with two adapter feet. The feet were marked "TURBINE" and "GENERATOR". Mount the appropriate foot before attempting use of the tensioner.**

**7.1.1.1 Hydraulic Tensioner's Burst Disc Replacement**

The hydraulic tensioner's burst disc is a key element in the overall safe use of the hydraulic tensioner.

Each tensioner is shipped from our factory with one burst disc already installed in the tensioner and with another spare disc for field replacement. Extra burst discs are available from Riverhawk for replacement purposes.

To replace a damaged burst disc:

1. Remove the hydraulic port's dispersion nut, compression ring, and damaged burst disc.
2. Discard the damaged burst disc.
3. Clean the dispersion nut, compression ring, new burst disc, and the hydraulic port with a solvent to ensure a dirt-free installation.



215 Clinton Road  
New Hartford, NY 13413  
Tel: +1 315 768 4855  
Fax: +1 315 768 4941  
Email: info@riverhawk.com

GE DRAWING NUMBER	REV
3734000	T

4. Reassemble new burst disc, compression ring, and dispersion nut into the same hydraulic port.

**Warning**

**A damaged burst disc must be replaced with a with a burst disc of the same design and pressure rating. Do not substitute a damaged burst disc with a different disc type, a different pressure rating, or a foreign object.**

**7.1.2 Hydraulic Pump Kit Inspection**

Refer to the Hydraulic Pump Kit Instruction Manual, IM-293 (GE VENDOC 373A4058). The latest revision may be obtained by contacting Riverhawk Company or thru [www.riverhawk.com](http://www.riverhawk.com).

**7.2 Hydraulic Fittings**

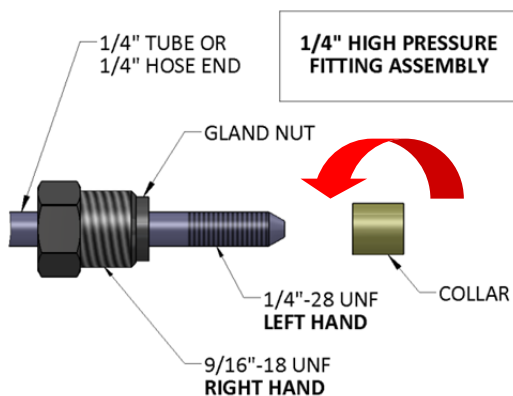


Illustration 1

Riverhawk tensioners use a 1/4" High Pressure port to connect its hydraulic hoses. The hose connector is made from a three piece assembly: a gland nut, a collar, and a 1/4" tube or 1/4" hose end. (See Illustration 1)

To assembly the fitting, slide the gland nut over the 1/4" tube or 1/4" hose end. Turn the collar counter-clockwise (**left hand** thread) on to the tube or hose end as shown in Illustration 1.

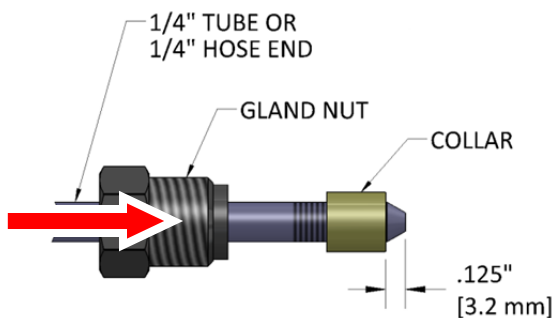


Illustration 2

The collar should be placed .125" (3.2 mm) from the tip of the cone. (See Illustration 2) It may be necessary to adjust this collar with a set of vise-grip pliers. Be careful to not strip the threads off the tube or hose end.



215 Clinton Road  
 New Hartford, NY 13413  
 Tel: +1 315 768 4855  
 Fax: +1 315 768 4941  
 Email: [info@riverhawk.com](mailto:info@riverhawk.com)

GE DRAWING NUMBER	REV
3734000	T

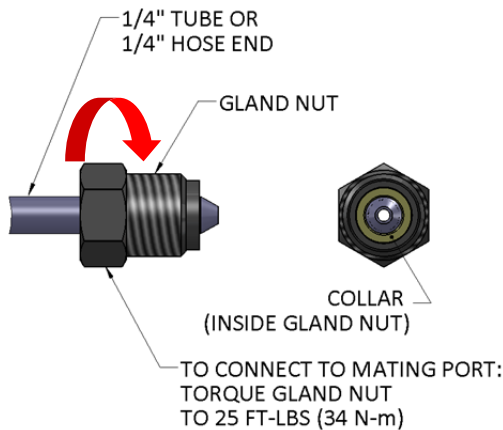


Illustration 3

Slide the gland nut down over the collar. (See Illustration 3) Insert the 1/4" tube or 1/4" hose end into tensioner or hydraulic pump. While firmly holding the tube or hose end to stop it from rotating, turn the gland nut clockwise (**right hand thread**) and torque the gland nut to 25 FT-LBS (34 N-m).

Tips:

- Make sure all parts are clean and free from debris.
- Protect the cone on the end of the 1/4" tube or 1/4" hose end from scratches as this is the sealing surface.
- Replace red plastic caps when finished to protect the threads and cone.

## 8.0 Assembly of Tensioner on a Stud

### 8.1 Handling of the Tensioner

Rest the tensioner on top of the coupling shaft. Using a strap just long enough to go around the coupling shaft, attach each end to the handles of the tensioner. One way to do this is to attach the strap by looping the strap through itself around the handle of the tensioner on one side then around the coupling shaft and finally attached to the handle on the other side with a D-shackle. This will help hold the tensioner in place should it fall off of the shaft. The strap also helps the operators move the tensioner around the shaft while tensioning.

If possible, use a 'Come-along' or chain fall from the ceiling of the coupling room and attach it to the tensioner using a short strap wrapped through the handles and around the top of the tensioner. This will allow the operators to easily move the tensioner around the coupling shaft by supporting the weight of the tool.

### 8.2 Kit Assembly

Assemble the hydraulic pump with its hose to the tensioner and bleed out the air per following instructions in section 8.3.

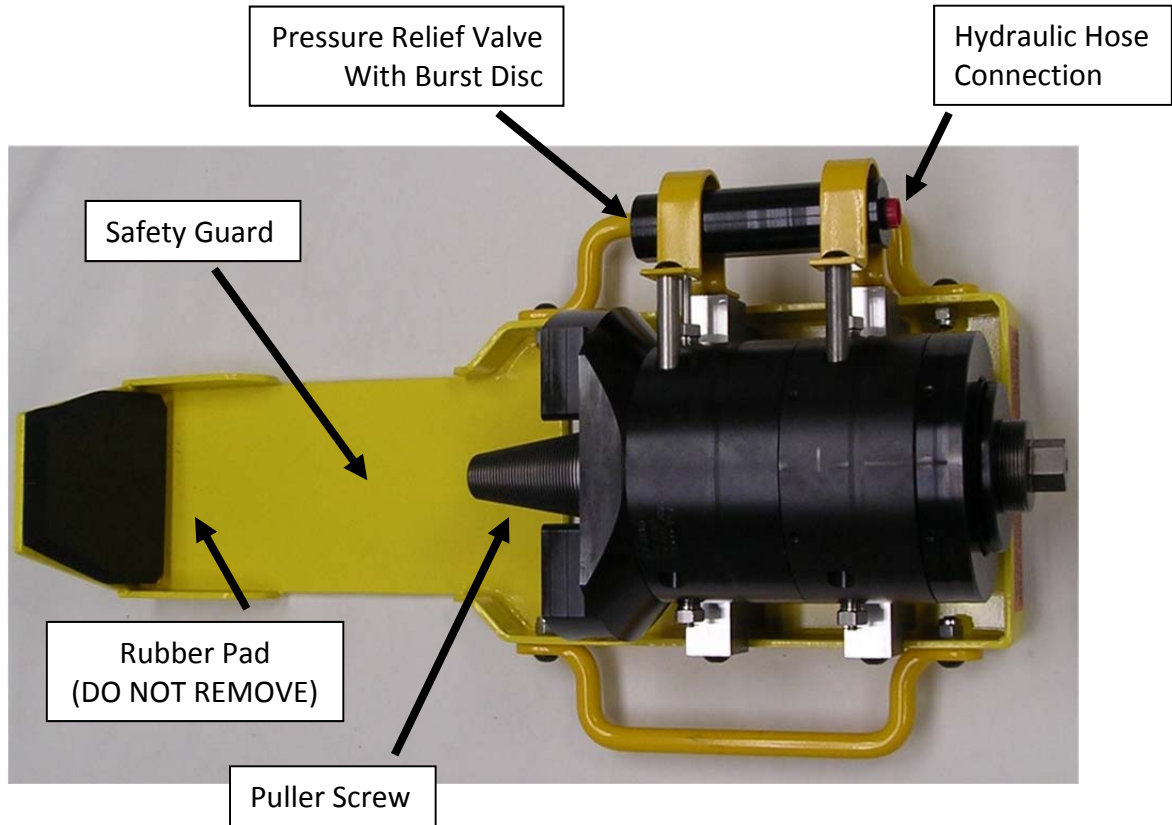
**Note: Before threading the puller screw into the stud, carefully check the cleanliness of both the stud's and the puller screw's conical threads. Apply a light coat of clean turbine oil or a spray lubricant to the puller screw. Do not use "Never Seize" on the conical threads. This procedure will ease assembly and assure positive mating of the threads before tightening.**



215 Clinton Road  
 New Hartford, NY 13413  
 Tel: +1 315 768 4855  
 Fax: +1 315 768 4941  
 Email: info@riverhawk.com

GE DRAWING NUMBER	REV
3734000	T

Refer to Tensioner Assembly drawing and photo for views of the tensioner to flange mounting. All tensioning will be performed on the coupling side of the flange connections.



Sample photograph of HT-0342

**NOTE: Prior to Serial Number S/N 721 the HT-0342 was supplied with two adapter feet. The feet were marked "TURBINE" and "GENERATOR". Mount the appropriate foot before attempting use of the tensioner.**

Assembly sequence is as follows:

- Place the spanner ring (different for each end turbine or generator) over the puller screw on the tensioner.
- Place and hold the tensioner assembly over the end of the stud to be tightened.



215 Clinton Road  
 New Hartford, NY 13413  
 Tel: +1 315 768 4855  
 Fax: +1 315 768 4941  
 Email: info@riverhawk.com

GE DRAWING NUMBER	REV
3734000	T





- Slide the puller screw in to the tapered thread of the stud and hand tighten. **Be sure not to cross thread assembly.**
- Hold the stud steady with a 1/2" hex key wrench and lightly tighten the puller screw into the conical thread of the stud with a wrench.
- Place the spanner ring on the cylindrical nut located on the stud.
- At this point the Tensioner Assembly **MUST BE FREE TO ROTATE**, the puller screw must be tight in the stud. **DO NOT BACK OFF PULLER SCREW.**

If the tensioner is not free to rotate when the puller screw is tight then, either (1) the stud is not properly positioned in the flange and recheck the stick-out length and reposition the nuts, or (2) The tensioner is damaged and must be returned for repair.

**CAUTION**

**Personal injury and equipment damage can occur if the puller screw is not securely engaged with the tapered thread of the stud. Proper engagement is achieved when the puller screw is tight in the stud and the Tensioner Assembly is free to rotate.**

**8.3 Bleeding Hydraulic System**

**WARNING**

**To avoid failure, ensure safety, and proper operation, the tensioner assembly must be installed on a stud in the flange before bleeding and pressurizing the tensioner. Do not use the tensioner at any pressure unless the tool is installed on a stud in a flange.**

The tensioner has four ports, one for pressurizing, two for bleeding the system, and a fourth pressure relief port. To facilitate bleeding, start by first mounting the tensioner at the 9 o'clock stud position, this will critically place the bleed ports in their uppermost position. In addition, make sure that the pump is always situated below the tensioner assembly.



215 Clinton Road  
 New Hartford, NY 13413  
 Tel: +1 315 768 4855  
 Fax: +1 315 768 4941  
 Email: info@riverhawk.com

GE DRAWING NUMBER	REV
3734000	T

The tensioner is equipped with 5/8" hex coned stem bleeder fittings installed in the bleeder ports. With these two fittings loosened simultaneously, stroke the pump repeatedly until the streams of oil exiting the tool from each port are free of air, then retighten the fittings.

**Note:** The hose is stiff; use of this tooling can be simplified by temporarily installing the tensioner on one stud prior to final tightening of fittings. This will reduce the tendency for the fittings to loosen during use.

## 9.0 Stud Tensioning

The studs will be tensioned in two steps, at 50% pressure and at final pressure. Follow the tensioning sequence for each flange joint as defined on the record sheets found at the end of this manual.

### 9.1 Tensioning at 50% pressure

After the tensioner is properly installed apply hydraulic pressure to the tool. Bring the pressure to the 50% level in accordance with the following table.

#### WARNING

**The safety cage must be in place at all times. Keep hands out of designated areas at all times when the tensioner is pressurized otherwise personal injury can occur.**

#### CAUTION

**Before threading the puller screw into the stud, carefully check the cleanliness of both the stud's and the puller screw's conical threads. Apply a light coat of clean turbine oil or a spray lubricant to the puller screw. This procedure will ease assembly and assure positive mating of the threads before tightening. Do not use "Never Seize" on the conical threads.**

#### CAUTION

**Do not exceed the maximum pressure marked on the tensioner. Excessive pressure can damage the stud and puller screw.**

#### CAUTION

**Do not tighten the nut while the tool is coming up to pressure; wait until pressure is achieved before attempting to tighten the nut with the spanner ring. If the tool is not properly installed, the tool could jump off the stud while coming up to pressure.**



215 Clinton Road  
New Hartford, NY 13413  
Tel: +1 315 768 4855  
Fax: +1 315 768 4941  
Email: info@riverhawk.com

GE DRAWING NUMBER	REV
3734000	T

<u>Flange Position</u>	<u>Stud Size</u>	<u>50% Pressure</u>	<u>50% Stretch</u>
Turbine to Coupling	2-1/4" [58 mm]	9000 psi [620 bar]	Do not measure Do not use
Coupling to Generator	2-3/4" [71 mm]	10000 psi [690 bar]	Do not measure Do not use

### 9.1.1 Tightening of 2-1/4" and 2-3/4" nuts

Turn the cylindrical nut using the spanner ring and pin wrench until it bottoms on the flange.

### 9.2 Removing the Tensioner from an Installed Stud

The tensioner removal is accomplished by the follows steps:

1. Release the hydraulic pressure by either releasing the hand switch on the AP-0532 Pump Kit or by opening the valve on the MP-0130 Manual Pump Kit and leave the valve open.
2. Unscrew the puller screw using a wrench and breaker bar. Do not use an impact wrench as this can damage the tensioner.
3. Move the tool to the next bolt hole following the tensioning pattern from the stretched record sheets at the end of this manual.

### 9.3 Tensioning at Final Pressure

Repeat the pulling and tightening procedure stated above at full pressure. After all of the studs have been tensioned, measure the final stud length. The final pressure and required stretch values are listed in the following table.

#### WARNING

**The safety cage must be in place at all times. Keep hands out of designated areas at all times when the tensioner is pressurized otherwise personal injury can occur.**

#### CAUTION

**Before threading the puller screw into the stud, carefully check the cleanliness of both the stud's and the puller screw's conical threads. Apply a light coat of clean turbine oil or a spray lubricant to the puller screw. This procedure will ease assembly and assure positive mating of the threads before tightening. Do not use "Never Seize" on the conical threads.**



215 Clinton Road  
New Hartford, NY 13413  
Tel: +1 315 768 4855  
Fax: +1 315 768 4941  
Email: info@riverhawk.com

GE DRAWING NUMBER	REV
3734000	T



**CAUTION**

**Do not exceed the maximum pressure marked on the tensioner. Excessive pressure can damage the stud and puller screw.**

**CAUTION**

**Do not tighten the nut while the tool is coming up to pressure; wait until pressure is achieved before attempting to tighten the nut with the spanner ring. If the tool is not properly installed, the tool could jump off the stud while coming up to pressure.**

<u>Flange Position</u>	<u>Stud Size</u>	<u>Final Pressure</u>	<u>Final Stretch</u>
Turbine to Coupling	2-1/4" [58 mm]	17000 psi [1170 bar]	0.017" - 0.020" [0.43 mm - 0.51 mm]
Coupling to Generator	2-3/4" [71 mm]	18000 psi [1240 bar]	0.012" - 0.014" [0.31 mm - 0.36 mm]

Excessive stretch variations or low stretch values can be corrected by uninstalling all or selected studs to the pressure values stated in the above table. Have final stretch values approved by the supervisor responsible for the installation.

**9.3.1 Tightening of 2-1/4" and 2-3/4" nuts**

Turn the cylindrical nut using the spanner ring and pin wrench until it bottoms on the flange.

**10.0 Thread Locking**

Once pulling and tensioning is completed all stud nuts must be locked in position. Two methods of thread locking may be encountered in the field. Early version hardware entails a liquid thread locking compound while the current configuration employs a mechanical locking device. Each method is described in detail in Sections 10.1 and 10.2.

**10.1 Thread Locking Using a Liquid Locking Compound**

These nuts have no visible locking feature. Contact Riverhawk Company if you have any of these older style nuts.

Riverhawk Company strongly recommends replacing this style of nut with the current nut with a re-useable mechanical locking feature.



215 Clinton Road  
 New Hartford, NY 13413  
 Tel: +1 315 768 4855  
 Fax: +1 315 768 4941  
 Email: info@riverhawk.com

GE DRAWING NUMBER	REV
3734000	T

## 10.2 Thread Locking Using a Mechanical Locknut



**Picture 3** Riverhawk Locknut

Mechanical lock nuts have two set screws located in the top face. Before threading the nut onto the stud check to be certain the set screws are free to turn. Once the nut is seated torque the set screws to the values specified in the following table. When seated and torqued to the values specified the load created by the set screw displaces the thread of the nut in the area of the web creating the desired locking action.

<u>Stud Size</u>	<u>Set Screw Size</u>	<u>Torque</u>
2-1/4" [58 mm]	1/4"-28 UN	70 in·lbs – 80 in·lbs [3.4 N·m–4.1 N·m]
2-3/4" [71 mm]	3/8"-24 UN	200 in·lbs – 250 in·lbs [22.6 N·m – 28.2 N·m]

## 11.0 Stud and Nut Removal

### 11.1 Handling of the Tensioner

Rest the tensioner on top of the coupling shaft. Using a strap just long enough to go around the coupling shaft, attach each end to the handles of the tensioner. One way to do this is to attach the strap by looping the strap through itself around the handle of the tensioner on one side then around the coupling shaft and finally attached to the handle on the other side with a D-



215 Clinton Road  
New Hartford, NY 13413  
Tel: +1 315 768 4855  
Fax: +1 315 768 4941  
Email: info@riverhawk.com

GE DRAWING NUMBER	REV
3734000	T

shackle. This will help hold the tensioner in place should it fall off of the shaft. The strap also helps the operators move the tensioner around the shaft while tensioning.

If possible, use a 'Come-along' or chain fall from the ceiling of the coupling room and attach it to the tensioner using a short strap wrapped through the handles and around the top of the tensioner. This will allow the operators to easily move the tensioner around the coupling shaft by supporting the weight of the tool.

### 11.2 Removal of Assemblies with Liquid Locking Compound

For those assemblies, which have been locked with the liquid locking compound, removal is accomplished as follows:

- Using a wire brush, GT-4253, and shop air clean the internal tapered thread of the stud to remove any debris/deposits that may have accumulated during service as described in section 5.2.2
- Install the appropriate tensioner to the stud as described in Section 8.2
- Apply hydraulic pressure per the following table and without using unreasonable force attempt to loosen the nut using the spanner/pin wrench

<u>Flange Position</u>	<u>Stud Size</u>	<u>Removal Pressure</u>
Turbine to Coupling	2-1/4" [58 mm]	17000 psi [1170 bar]
Coupling to Generator	2-3/4" [71 mm]	18000 psi [1240 bar]

- If the nut cannot be loosened, release the pressure and repeat the procedure.
- Ordinarily two or three attempts are sufficient to break the bond.
- Should the nut refuse to loosen after three attempts the application of heat will be required.

#### CAUTION

**Do not exceed the maximum pressure marked on the tensioner. Excessive pressure can damage the stud and puller screw.**

#### WARNING:

**FIRE HAZARD; DO NOT heat when the tensioner is in place. Personal injury or equipment damage may occur. Use of an Oxy-Acetylene torch is not recommended.**



215 Clinton Road  
New Hartford, NY 13413  
Tel: +1 315 768 4855  
Fax: +1 315 768 4941  
Email: info@riverhawk.com

GE DRAWING NUMBER	REV
3734000	T

### 11.2.1 Removal Using Heat

Apply a smear of **550°F/650°F** tempil stick to the side of the nut opposite the application of heat and heat the nut using a propane torch. Continue to apply heat until the tempil smear indicates that the nut has reached **550°F/650°F**. **Never overheat to a cherry red condition.** Remove the source of heat and as quickly as possible reinstall the appropriate tensioner, apply the appropriate pressure per the following table and loosen the nut. Then release the pressure and remove the tensioner.

<u>Flange Position</u>	<u>Stud Size</u>	<u>Removal Pressure</u>
Turbine to Coupling	2-1/4" [58 mm]	17000 psi [1170 bar]
Coupling to Generator	2-3/4" [71 mm]	18000 psi [1240 bar]

### 11.2.2 Removing the Tensioner from a Stud

The tensioner removal is to accomplished by the follows steps:

1. Release the hydraulic pressure by either releasing the hand switch on the AP-0532 Pump Kit or by opening the valve on the MP-0130 Manual Pump Kit and leave the valve open.
2. Insert 1/2" hex Allen wrench into the back side of the stud to prevent the stud from rotating while you unscrew the puller screw.
3. Unscrew the puller screw using a wrench and, if necessary, a breaker bar. Do not use an impact wrench as this can damage the tensioner.
4. Move the tool to the next stud/nut assembly to be tensioned, following the sequence/pattern as defined on the supplied data sheets.

### 11.3 Removal of Assemblies with Mechanical Locknuts

For those assemblies which have been locked using mechanical locknuts, removal is accomplished as follows:

- Using a wire brush, GT-4253, and shop air clean the internal tapered thread of the stud to remove any debris/deposits which may have accumulated during service as described in section 5.2.2.
- With an Allen-wrench loosen the two locking set screws but do not remove from the nut.



215 Clinton Road  
 New Hartford, NY 13413  
 Tel: +1 315 768 4855  
 Fax: +1 315 768 4941  
 Email: info@riverhawk.com

GE DRAWING NUMBER	REV
3734000	T



**Sample Picture of the loosening of a nut's set screws**

- Install the appropriate tensioner to the stud as described in Section 8.2.
- Apply the appropriate hydraulic pressure per the Table of Section 12.1. **DO NOT BACK OFF THE PULLER SCREW.**
- Using the spanner ring and spanner/pin wrenches, loosen the nut, then release the pressure.

<u>Flange Position</u>	<u>Stud Size</u>	<u>Removal Pressure</u>
Turbine to Coupling	2-1/4" [58 mm]	17000 psi [1170 bar]
Coupling to Generator	2-3/4" [71 mm]	18000 psi [1240 bar]

### 11.3.1 Removing the Tensioner from a Stud

The tensioner removal is to accomplished by the follows steps:

1. Release the hydraulic pressure by either releasing the hand switch on the AP-0532 Pump Kit or by opening the valve on the MP-0130 Manual Pump Kit and leave the valve open.
2. Insert 1/2" hex Allen wrench into the back side of the stud to prevent the stud from rotating while you unscrew the puller screw.
3. Unscrew the puller screw using a wrench and, if necessary, a breaker bar. Do not use an impact wrench as this can damage the tensioner.



215 Clinton Road  
New Hartford, NY 13413  
Tel: +1 315 768 4855  
Fax: +1 315 768 4941  
Email: info@riverhawk.com

GE DRAWING NUMBER	REV
3734000	T

4. Move the tool to the next stud/nut assembly to be tensioned, following the sequence/pattern as defined on the supplied data sheets.

## 12.0 Storage Instructions

Follow these directions to properly store your hydraulic tensioner and hydraulic pump kit for long term storage and shipment.

If any damage is observed, contact the Riverhawk Company to schedule a maintenance inspection.

### 12.1 Hydraulic Pump Kit Storage

Refer to the Hydraulic Pump Kit Instruction Manual, IM-293 (GE VENDOC 373A4058). The latest revision may be obtained by contacting Riverhawk Company or thru [www.riverhawk.com](http://www.riverhawk.com).

### 12.2 Hydraulic Tensioner Storage

Check the tensioner for any damage

1. Clean puller screw and check for any debris and dents.
2. Puller screw should be free to rotate and move back and forth.
3. Seam between cylinders closed tightly.
4. Inspect tensioner guard for any signs of damage. Bent guards should be replaced. Also, be sure the rubber pad is in place on the end of the guard, if missing, replace.

If any damage is observed, contact the Riverhawk Company to schedule a maintenance inspection.

Place protective red plastic cap into the hydraulic port.

Coat the hydraulic tensioner with a light coat of oil and place the tensioner into the original shipping container.

### 12.3 Store shipping container

Secure the hydraulic pump and hydraulic tensioner into the original shipping containers using the supplied wood braces.

Seal the original shipping container and store under shelter and protected from moisture, sand, and grit.



215 Clinton Road  
New Hartford, NY 13413  
Tel: +1 315 768 4855  
Fax: +1 315 768 4941  
Email: [info@riverhawk.com](mailto:info@riverhawk.com)

GE DRAWING NUMBER	REV
3734000	T

### 13.0 Frequently Asked Questions

This section contains some frequently asked questions and problems. If the steps listed here do not solve your problem, contact the Riverhawk Company thru our website, email, or phone call.

**Q:** Can I rent a hydraulic tensioner kit?

**A:** Yes, Riverhawk has rental tensioner kits available for most of our hydraulic tensioners.

**Q:** A tensioner has pulled itself out of the stud's conical threads. Can I continue using a tensioner on this stud?

**A:** No. Both the tensioner and the stud may have been damaged and must be removed from the work area. If the stud is tensioned, a Nut Buster repair kit, from Riverhawk, must be used to remove the damaged stud by drilling out the nut. Leaving a damaged stud in place will lead to a safety hazard on future outages.

Riverhawk can supply a replacement stud and nut based on the initial weight certification supplied with the hardware set (see section 4.2). The damaged tensioner should also be returned to Riverhawk for inspection and repair.

If a stud must be left in place, paint the damaged stud with a generous amount of indelible, bright-colored paint. Notify the appropriate GE Safety and Service personnel. Note the location of the damaged stud in the services notes for the machine.

**Q:** The hydraulic tensioner has been taken up to its final pressure. The final stretch length is short of the final stretch target. What is the next step?

**A:** Do not increase the hydraulic pressure. Check if the hydraulic pump is set to the right pressure. Install the tensioner and re-pressurize the tensioner to the final pressure then recheck the stretch measurement. If the stretch value is still short, remove the stud from the hole and re-measure the stud's initial length then try to install the stud again.

**Q:** The hydraulic tensioner has been taken up to its final pressure. The final stretch length is larger than the final stretch target. What is the next step?

**A:** Remove the stud from the bolt hole. Check if the hydraulic pump is set to the right pressure. Re-measure the stud's initial length then try to install the stud again.



215 Clinton Road  
 New Hartford, NY 13413  
 Tel: +1 315 768 4855  
 Fax: +1 315 768 4941  
 Email: info@riverhawk.com

GE DRAWING NUMBER	REV
3734000	T

- Q:** Is there an easier way to support or move the tensioner around the coupling shaft?
- A:** In section 8.1, a method using two straps, one around the coupling shaft and the other attach to an overhead support, is described that can help.
- Q:** The tensioner is at its final pressure, but the nut cannot be loosened.
- A:** If the nuts cannot be loosened at the final pressure, continually increasing the pressure will not help and can be dangerous and in some cases make it harder to remove the nut. Check the nut to see if its set screws have been loosened. Check for and remove any corrosion around the nut's threads.
- Q:** How do I clean the conical threads on a stud?
- A:** The conical threads are best cleaned using a spiral wound brass brush in a drill as described in section 5.2.2
- Q:** During the initial steps of removing a tensioned stud, the stick-out length is found to be wrong.
- A:** Do not proceed. Contact Riverhawk for assistance. With the wrong stick-out length, the hydraulic tensioner has a limited stroke and may not work properly and can be damaged.
- Q:** The hydraulic pump appears to be leaking.
- A:** Check the hose connection to the hydraulic pump. If the 1/4" high pressure fitting is not assembled correctly as shown in section 7.2, it may look like the pump is leaking. If the problem continues, it may be necessary to open the pump kit. Contact Riverhawk for guidance.



215 Clinton Road  
New Hartford, NY 13413  
Tel: +1 315 768 4855  
Fax: +1 315 768 4941  
Email: info@riverhawk.com

GE DRAWING NUMBER	REV
3734000	T



- Q:** The hydraulic hose has a collar on it that can't be moved by hand
- A:** The hydraulic fitting is shown in section 7.2. The collar is sometimes held in place with a thread locking compound. This prevents the collar from moving too easily. It may be necessary to adjust this collar with a set of vise-grip pliers. Be careful to not strip the threads off the tube or hose end.
- Q:** The tensioner has two different feet. Which one is used on generator flange and which one is used on the turbine flange?
- A:** On tensioners, before serial number 721. Two different feet were used. Each foot is marked either Generator or Turbine. The generator foot is used on the generator side of the coupling and the turbine foot is used on the turbine side of the coupling.

**14.0 Revision History**

Revision Letter	Effective Date	Description
T	Feb 4, 2013	Customer requested change to revision level to eliminate confusion between S and 5
S	Oct 23, 2012	Added IM-293 to sections 7.1.2 and 12.1
R	Oct 5, 2012	Reformatted, general update to warnings and cautions
Q	Jul 14, 2011	Added 361A5218P001 to section 2.0
P	Jun 9, 2009	Added turbine oil and removed "Never Seize" from sections 1.0, 3.0, 8.2, and 9.3
N	Oct 27, 2008	Added table of contents, added metric dimensions, added GE p/n cross-reference to section 2, added checklist and handling sections and renumbered others, moved figures to referenced locations, added storage instructions, expanded 7.2 section, added Appendix A, Added puller screw tightening requirement
M	May 27, 2008	Changed set screw tightening torque for turbine end



215 Clinton Road  
 New Hartford, NY 13413  
 Tel: +1 315 768 4855  
 Fax: +1 315 768 4941  
 Email: info@riverhawk.com

GE DRAWING NUMBER	REV
3734000	T

Instruction Manual IM-125

Revision Letter	Effective Date	Description
L	Not Used	Not Used
K	Jan 14, 2008	Added drawing of new and old foot design for ID
J	Jan 09, 2007	Revised stretch valves
H	Dec 29, 2004	Moved caution notes
G	Feb 10, 2003	Added reference to 7FB
F	Nov 20, 2002	Added reference to Hex and Cylindrical
E	Oct 15, 2002	Removed reference for two tensioner feet, pg 5 section 6.0
D	Apr 19, 2002	Pg 1 revised, pg 4 section 4.0, pg 10 section 11, deleted pg 11, deleted pg 12, deleted pg 20
C	Oct 02, 2001	Added GE Title Block to all pages
B	May 22, 2001	Pg 4 section 4.0, pg 15 added figure 8
A	Oct 16, 2000	Pg 2 section 1.0, pg 3 section 2.5
-	Oct 01, 2000	Released



215 Clinton Road  
 New Hartford, NY 13413  
 Tel: +1 315 768 4855  
 Fax: +1 315 768 4941  
 Email: info@riverhawk.com

GE DRAWING NUMBER	REV
3734000	T

**Appendix A1**

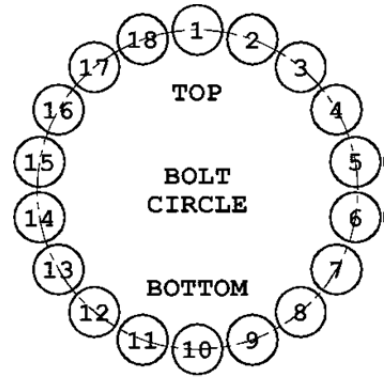
**STRETCH RECORD SHEET  
FOR THE TURBINE END**

TURBINE NUMBER:

DATE:

TECHNICIAN:

SUPERVISOR:



HOLE NUMBER	STARTING LENGTH	FINAL LENGTH	FINAL STRETCH
1			
10			
2			
11			
3			
12			
4			
13			
5			
14			
6			
15			
7			
16			
8			
17			
9			
18			



215 Clinton Road  
New Hartford, NY 13413  
Tel: +1 315 768 4855  
Fax: +1 315 768 4941  
Email: info@riverhawk.com

GE DRAWING NUMBER	REV
3734000	T

**Appendix A2**

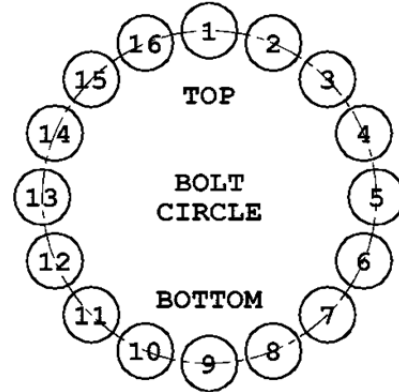
**STRETCH RECORD SHEET  
FOR THE GENERATOR END**

TURBINE NUMBER:

DATE:

TECHNICIAN:

SUPERVISOR:



HOLE NUMBER	STARTING LENGTH	FINAL LENGTH	FINAL STRETCH
1			
9			
2			
10			
3			
11			
4			
12			
5			
13			
6			
14			
7			
15			
8			
16			



215 Clinton Road  
New Hartford, NY 13413  
Tel: +1 315 768 4855  
Fax: +1 315 768 4941  
Email: info@riverhawk.com

GE DRAWING NUMBER	REV
3734000	T