



**INSTRUCTION MANUAL IM-342**


**For Gas Turbine Tensioned  
Studs and Nuts**

Applicable Bolting Connections

Gearbox to 6A6 or 5A4 Generator

Applicable GE Ordering Sheet Part Numbers

137A3349P001	356A3962P003	392A7490P002
137A3349P002	356A3962P005	392A7490P006
	356A3962P007	392A7490P010
	356A3962P008	392A7490P011
		392A7490P012
	358A7205P001	

	<b>GE Power Generation</b>	GENERAL ELECTRIC COMPANY	
<b><u>VENDOR SUPPLIED</u></b>			
GE NOT TO REVISE. GE REVISION LEVEL IS SHOWN ON THIS APPLIQUE. THIS DOCUMENT IS FILED UNDER THE GE DRAWING NUMBER.			
THIS DOCUMENT SHALL BE REVISED IN ITS ENTIRETY. ALL SHEETS OF THIS DOCUMENT ARE THE SAME REVISION LEVEL AS INDICATED IN THIS VENDOR SUPPLIED DRAWING APPLIQUE.			
MLI:		___ OF ___	
GE SIGNATURES	DATE	GE DRAWING NUMBER	REV
CHECKED:		<b>373A4075</b>	-
ISSUED:			

The Riverhawk Company reserves the right to update this document without dissemination or notice. The latest revision may be obtained by contacting Riverhawk Company or thru [www.riverhawk.com](http://www.riverhawk.com).

215 Clinton Road  
New Hartford, NY 13413  
Tel: +1 315 768 4855  
Fax: +1 315 768 4941  
Email: [info@riverhawk.com](mailto:info@riverhawk.com)

**Table of Contents**

Section	Description	Page Number
1.0	Cautions and Safety Warnings	3
2.0	Scope and GE Part Number Cross Reference	4
3.0	Quick Checklist	7
4.0	General Preparations	10
5.0	Hardware Set Preparations	12
6.0	Stud and Nut Assembly	15
7.0	Hydraulic Tensioner Equipment Assembly	16
8.0	Assembly of Tensioner on Stud	19
9.0	Stud Tensioning	21
10.0	Thread Locking	23
11.0	Stud and Nut Removal	25
12.0	Storage Instructions	26
13.0	Frequently Asked Questions	27
14.0	Revision History	30
Appendix A1	20-Bolt Tensioning Pattern (LG-GEN) Record Sheet	31
Appendix A2	16-Bolt Tensioning Pattern (LG-GEN) Record Sheet	32
Appendix B	EC Declaration of Conformity	33



215 Clinton Road  
 New Hartford, NY 13413  
 Tel: +1 315 768 4855  
 Fax: +1 315 768 4941  
 Email: info@riverhawk.com

GE DRAWING NUMBER	REV
373A4075	-

## 1.0 Cautions and Safety Warnings

### WARNING

**Improper tool use and the failure to follow the correct procedures are the primary root causes of tool failures and personal injuries. A lack of training or experience can lead to incorrect hardware installation or incorrect tool use. Only trained operators with careful, deliberate actions should use hydraulic tensioners.**

### CAUTION

Personal injury and equipment damage can occur if the proper health and safety codes and procedures are not followed. Contact the site's health and safety office to determine all applicable safety rules and regulations.

### WARNING

The proper personal protective equipment must be worn at all times.

### CAUTION

It is especially important to check the condition of the conical thread used to tension the stud. Thread damage from previous abuse can lead to failure of the stud or tensioning equipment

### CAUTION

Riverhawk recommends that the tensioner should be returned to Riverhawk for periodic inspections. Replacement of obsolete tensioners is recommended. Functional upgrades are also recommended. The Riverhawk Service Returns Coordinator should be notified 3-6 months prior to a planned outage to schedule an inspection service.

### WARNING

A damaged burst disc must be replaced with a with a burst disc of the same design and pressure rating. Do not substitute a damaged burst disc with a different disc type, a different pressure rating, or a foreign object.

### WARNING

To avoid failure, ensure safety, and proper operation, the tensioner assembly must be installed on a stud in the flange before bleeding and pressurizing the tensioner. Do not use the tensioner at any pressure unless the tool is installed on a stud in a flange.

### CAUTION

Do not over extend the tensioner. Over extension can cause the piston to lose its seal and leak oil.



215 Clinton Road  
New Hartford, NY 13413  
Tel: +1 315 768 4855  
Fax: +1 315 768 4941  
Email: info@riverhawk.com

GE DRAWING NUMBER	REV
373A4075	-

**CAUTION**

Personal injury and equipment damage can occur if the puller screw is not securely engaged with the tapered threads of the stud. Proper engagement is achieved when the puller screw is tight in the stud and the tensioner assembly is free to turn.

**WARNING**

The safety guard must be in place at all times. When the tensioner is pressurized hands must be kept out of designated areas to avoid any potential for personal injury.

**CAUTION**

Before threading the puller screw into the stud, carefully check the cleanliness of both the stud's and the puller screw's conical threads. Apply a light coat of clean turbine oil or a spray lubricant to the puller screw. This procedure will ease assembly and assure positive mating of the threads before tightening. Do not use "Never Seize" on the conical threads.

**CAUTION**

Do not tighten the nut while the tool is coming up to pressure; wait until pressure is achieved before attempting to tighten the nut with the spanner ring. If the tool is not properly installed, the tool could jump off the stud while coming up to pressure.

**CAUTION**

Do not exceed the maximum pressure marked on the tensioner. Excessive pressure can damage the stud and puller screw.

**WARNING**

**FIRE HAZARD:** DO NOT heat when puller assembly is in place. Personal injury or equipment damage may occur. Use of an Oxy-Acetylene torch is not recommended

**2.0 Scope**

This document describes the procedure to be used to install the stud and nut sets supplied by the Riverhawk Company in the flanges at the Gearbox/Generator connection.

The various frame configurations covered in this manual are listed in Sections 2.1 through 2.10 with differences as related to connective hardware defined. Listed also are the pertinent hardware drawings (HF-xxxx). These drawings as well as tooling drawings (HT-xxxx) form part of this manual.



215 Clinton Road  
New Hartford, NY 13413  
Tel: +1 315 768 4855  
Fax: +1 315 768 4941  
Email: info@riverhawk.com

GE DRAWING NUMBER	REV
373A4075	-

**2.1 Frame 6B Gas Turbine to 6A6 or 5A4 Generator**

GE PART NUMBER	RIVERHAWK P/N	GE VENDOC P/N
GE 137A3349P001	HF-0708	GE 364B3420
GE 137A3349P002	HF-0708	GE 364B3420
GE 356A3962P003	HF-0708	GE 364B3420
GE 356A3962P007	HF-0708	GE 364B3420
GE 392A7490P010	HF-0708	GE 364B3420

The hydraulic tools used for installation and removal are Riverhawk HT-0406 (load coupling) and GT-6393 (generator).

GE PART NUMBER	RIVERHAWK P/N	GE VENDOC P/N
GE 392A7490P011	HF-0708	GE 364B3420

The hydraulic tools used for installation and removal are Riverhawk HT-2569 (load coupling) and GT-6393 (generator).

GE PART NUMBER	RIVERHAWK P/N	GE VENDOC P/N
GE 392A7490P012	HF-0708	GE 364B3420

The hydraulic tools used for installation and removal are either Riverhawk HT-0406 or Riverhawk HT-2569 (dependent on load coupling) and GT-6393 (generator).

These hardware drawings depicts the complete stud and nut package for both Turbine to Load Coupling and Load Coupling to Gearbox (1-1/8" size, Qty. 48) as well as Gearbox to Generator (1-1/4" size, Qty. 20)

**2.2 Gearbox to 6A6 or 5A4 Generator**

GE PART NUMBER	RIVERHAWK P/N	GE VENDOC P/N
GE 392A7490P006	HF-2735	Not Available

The hydraulic tooling used for installation and removal is Riverhawk GT-6393.

The hardware drawing depicts the complete stud and nut package for Gearbox to Generator (1-1/4" size, Qty. 20)



215 Clinton Road  
 New Hartford, NY 13413  
 Tel: +1 315 768 4855  
 Fax: +1 315 768 4941  
 Email: info@riverhawk.com

GE DRAWING NUMBER	REV
373A4075	-

### 2.3 Load Coupling to 6A6 or 5A4 Generator

GE PART NUMBER	RIVERHAWK P/N	GE VENDOC P/N
GE 356A3962P005	HF-0798	GE 269B8680

The hydraulic tools used for installation and removal are Riverhawk HT-0406 (load coupling) and GT-6393 (generator).

The hardware drawing depicts the complete stud and nut package for the load Coupling to Gearbox (1-1/8" size, Qty. 24) and the Gearbox to Generator (1-1/4" size, Qty. 20)

### 2.4 Frame 5P Gas Turbine to 6A6 or 5A4 Generator

GE PART NUMBER	RIVERHAWK P/N	GE VENDOC P/N
GE 358A7205P001	HF-0820	GE 364B3423

The hydraulic tools used for installation and removal are Riverhawk HT-0406 (load coupling) and GT-6393 (generator).

The hardware drawing depicts the complete stud and nut package for Load Coupling to Gearbox (1-1/8" size, Qty. 24) and Gearbox to Generator (1-1/4" size, Qty. 20). The drawing also depicts a 1" size Socket Head Cap Screw for a Turbine to Coupling connection. The torque requirements for the Socket Head Cap Screws will be specified on another appropriate General Electric drawing.

### 2.5 Hydraulic Tooling

GE PART NUMBER	RIVERHAWK P/N	GE VENDOC P/N
GE 392A7490P002	GT-6393 (HT-1466 Guard Upgrade Kit)	GE 101B0638



215 Clinton Road  
 New Hartford, NY 13413  
 Tel: +1 315 768 4855  
 Fax: +1 315 768 4941  
 Email: info@riverhawk.com

GE DRAWING NUMBER	REV
373A4075	-

### 3.0 Quick Checklist

The following checklist is intended as a summary of the steps needed to use the Riverhawk-supplied equipment. New personnel or those experienced personnel who have not used the Riverhawk equipment recently are encouraged to read the entire manual.

#### EQUIPMENT INSPECTION

- Check oil level in hydraulic pump.
- Check air pressure at 80psi [5.5 bar] minimum. (For air-driven pumps)
- Check hydraulic hose for damage.
- Test pump.
- Inspect tensioner for any damage.

#### NUT AND STUD PREPARATION

- Inspect studs and nuts for any damage.
- Clean the studs and nuts.
- Measure stud lengths. (VERY IMPORTANT)
- Install studs and nuts into the flange.
- Set stick-out dimension on the coupling side of the flange.
- Hand tighten nuts on turbine / generator side of flange.
- Verify stick-out measurement (**VERY IMPORTANT**)



215 Clinton Road  
 New Hartford, NY 13413  
 Tel: +1 315 768 4855  
 Fax: +1 315 768 4941  
 Email: info@riverhawk.com

GE DRAWING NUMBER	REV
373A4075	-

**TENSIONING (Bolt Installation)**

- Check tensioner drawing for correct parts and part numbers.
- Apply a light coat of clean turbine oil or spray lubricant to the puller screw. **DO NOT USE “NEVER SEIZE” ON THE CONICAL THREADS.**
- Slide spanner ring over the puller screw.
- Install the tensioner on the stud in flange and slide spanner ring onto nut.
- Insert 1/2” hex Allen wrench into the back side of the stud.
- Tighten the puller screw. Then back off puller screw 1/4 a turn.
- Retighten the puller screw and leave tight. **DO NOT BACK OFF PULLER SCREW.**
- Position guard over flange and tensioner body. Secure guard to tensioner using supplied thumb screw hardware.
- Bleed the tensioner. **Do NOT bleed tensioner off of a stud! Damage to the tool will result!**
- Tension to 50%. Consult manual section 9 for correct pressure.
- Use the pin wrench in spanner ring to tighten nut.
- Release pressure, move to next stud in pattern.
- Repeat above steps at final pressure.
- Measure final stud length and record on stretch datasheets. Calculate stretch.
- Torque the nuts' set screws.



215 Clinton Road  
 New Hartford, NY 13413  
 Tel: +1 315 768 4855  
 Fax: +1 315 768 4941  
 Email: info@riverhawk.com

GE DRAWING NUMBER	REV
373A4075	-



**DETENSIONING (Stud Removal)**

- Loosen nuts' set screws
- Inspect and clean studs' conical threads. **Do not continue until ALL debris is removed from the threads!** See instruction manual IM-220. **Do not try to use the tensioner to remove a damaged stud!**
- Apply a light coat of clean turbine oil or spray lubricant to the puller screw. **DO NOT USE "NEVER SEIZE" ON THE CONICAL THREADS.**
- Slide spanner ring over the puller screw.
- Install the tensioner on the stud.
- Install spanner ring into nut.
- Tighten the puller screw. Then back off puller screw 1/4 a turn.
- Retighten the puller screw and leave tight. **DO NOT BACK OFF PULLER SCREW.**
- Position guard over flange and tensioner body. Secure guard to tensioner using supplied thumb screw hardware.
- Bleed the tensioner. **Do NOT bleed tensioner off of a stud! Damage to the tool will result!**
- Apply final pressure.
- Loosen nut with the spanner ring and pin wrench.
- Move to next stud in pattern



215 Clinton Road  
 New Hartford, NY 13413  
 Tel: +1 315 768 4855  
 Fax: +1 315 768 4941  
 Email: info@riverhawk.com

GE DRAWING NUMBER	REV
373A4075	-

## 4.0 General Preparations

Prior tool first operation of tooling kit: remove and replace existing tensioner parts with parts supplied with GT-6393 guard upgrade kit (see GE VENDOCS 101B0638)

Read and understand all instructions before installing and tensioning studs.

Operators should be trained or have previous experience using Riverhawk tensioning equipment. Training will minimize the chance of improper use of the equipment.

The hydraulic tooling including the hydraulic hoses should be inspected prior to use. Inspection guidelines are listed in the following sub-sections.

This equipment produces very high hydraulic pressures and very high forces. Operators must exercise caution and wear the appropriate personal protective equipment when handling and operating the hydraulic tooling.

High-pressure oil from the hydraulic pump pressurizes the tensioner which generates a very large force that actually stretches the stud. As the stud is stretched the nut lifts off the flange. The nut is then turned by hand using the supplied spanner ring. Once the nut is tight against the flange, the pressure in the tensioner is released. The hardware is now clamping the flange together.

### 4.1 Machine Preparation

The flange to be tensioned must be fully closed prior to positioning the studs in the flanges. There must be provisions for turning the shafts of the turbine, coupling, gearbox, and generator. Also, it will be advantageous to remove as many obstructions as possible from the flange area, such as speed probes and conduit.

### 4.2 Hardware – Balance

Hardware is supplied as weight balanced sets. Studs and Nuts are interchangeable within sets. Do not intermix sets.

Save the weight certification supplied with each set. It will be needed for the purchase of replacement hardware.



215 Clinton Road  
New Hartford, NY 13413  
Tel: +1 315 768 4855  
Fax: +1 315 768 4941  
Email: info@riverhawk.com

GE DRAWING NUMBER	REV
373A4075	-

### 4.3 Tensioner – Care and Handling

When not in use, the tensioner shall be maintained in a clean environment and all caps and plugs for hydraulic openings and fittings must be in place.

When in use, the tensioner shall be protected from sand and grit.

See section 12 for long term storage requirements.

### 4.4 Hand Tools

Several hand wrenches and micrometers will be required to perform installation and measurement of the studs:

5/8" wrench	3' – 4' Breaker Bar
15/16" wrench	6" to 7" micrometer
1" wrench	A set of Allen Wrenches

### 4.5 Riverhawk Tools

Hydraulic Tensioner Kit:	GT-6393 Hydraulic Tensioner, 1-1/4" (HT-1466 Guard Upgrade Kit) (reference GE VENDOC 101B0638)
--------------------------	--

See Instruction Manual IM-100 (GE VENDOC 373A4075) for other tensioner kits listed here:	HT-0406 Hydraulic Tensioner, 1-1/8" (reference GE VENDOC 364B3418)
--	---

	HT-2286 Hydraulic Tensioner, 1-1/8" (reference GE VENDOC 364B3422)
--	---

	HT-2569 Hydraulic Tensioner, 1-1/8" (reference GE VENDOC 364B3418)
--	---

	HT-5332 Hydraulic Tensioner, 1-1/8" (for GENP SOM5459019)
--	--

	HT-5618 Hydraulic Tensioner, 1-1/8" (reference GE VENDOC 269B8741)
--	---

	HT-1019 Hydraulic Tensioner, 1-1/2"
--	-------------------------------------



215 Clinton Road  
New Hartford, NY 13413  
Tel: +1 315 768 4855  
Fax: +1 315 768 4941  
Email: info@riverhawk.com

GE DRAWING NUMBER	REV
373A4075	-

Hydraulic Pump Kit:

MP-0130 Manual Hand-Operated Hydraulic Pump  
(reference GE VENDOC 359B2506)

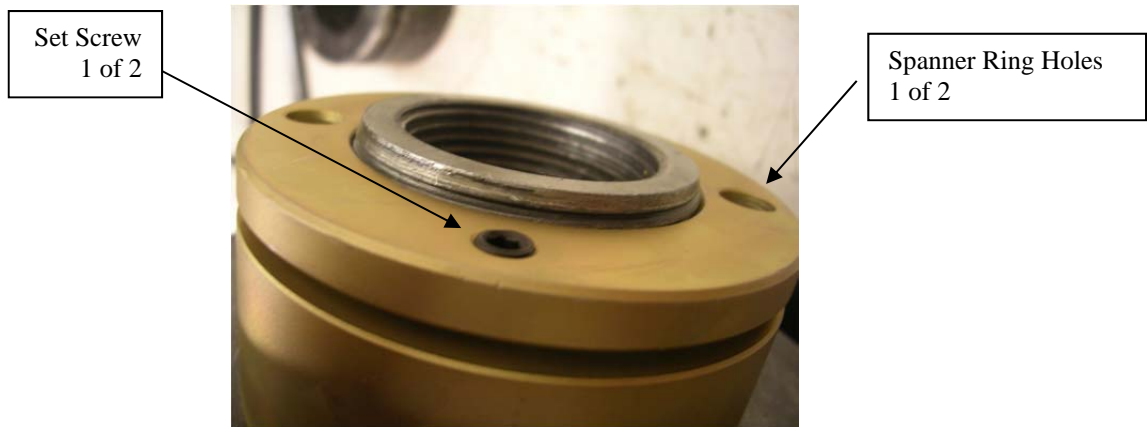
AP-0532 Air-Operated Hydraulic Pump  
(reference GE VENDOC 359B2502)

**CAUTION**

**Riverhawk recommends that the tensioners be returned to Riverhawk for periodic inspections. Replacement of obsolete tensioners is recommended. Functional upgrades are also recommended. The Riverhawk Service Returns Coordinator should be notified 3-6 months prior to a planned outage to schedule an inspection service.**

**5.0 Hardware Set Preparations**

**5.1 Nut Preparation**



**Picture 1** - Riverhawk Locknut

If there is any visible damage on a nut, do not use the nut and contact the Riverhawk Company for a replacement nut. Please be prepared to supply the turbine number, weight certification, and digital photographs for evaluation.

**5.1.1 Nut Cleaning - New Installations**

For new installations, the nuts should come sealed from the factory and will need no cleaning.



215 Clinton Road  
New Hartford, NY 13413  
Tel: +1 315 768 4855  
Fax: +1 315 768 4941  
Email: info@riverhawk.com

GE DRAWING NUMBER	REV
373A4075	-

### 5.1.2 Nut Cleaning - Old Installations

Previously installed nuts require cleaning as follows: Wire brush using a petroleum-based solvent to remove any foreign material on the external surfaces and threads.

### 5.1.3 Nut Cleaning - Very Old Installations

If previous installations employed a thread-locking compound, which will be visible as a grayish-green residue, remove as much of this compound as possible. Finish the cleaning process by rinsing in a volatile solvent such as acetone and allow to dry.

Riverhawk Company strongly recommends replacing this style of nut with the current nut with a re-useable mechanical locking feature.

## 5.2 Stud Preparation

Check the stud for any visible damage. If there is any visible damage, do not use the stud and contact the Riverhawk Company for a replacement stud. Please be prepared to supply the turbine number, weight certification, and digital photographs for evaluation.

### CAUTION

**It is especially important to check the condition of the conical thread used to tension the stud. Thread damage from previous abuse can lead to failure of the stud or tensioning equipment.**

The conical threads of each stud must be clean of grit and dirt before installation or removal. This ensures the proper seating of the puller screw.

### 5.2.1 Stud Cleaning - New Installations

For new installations, the studs should come sealed from the factory and will need no cleaning.

### 5.2.2 Stud Cleaning - Old Installations

Previously installed studs may require cleaning. Clean conical threads should have a bright and shiny appearance.

If cleaning is required, follow these steps:

1. Blow out the threads with compressed air to remove loose debris and dry conical threads. Do not apply a solvent or other cleaning solution to the threads as this may chemically attack the stud.



215 Clinton Road  
New Hartford, NY 13413  
Tel: +1 315 768 4855  
Fax: +1 315 768 4941  
Email: info@riverhawk.com

GE DRAWING NUMBER	REV
373A4075	-

2. Use Stud Cleaning Kit, GT-4354 or a similar 1/2" diameter Brass power brush.



Picture 2 - Brass Power Brush

3. Insert the brush into an electric drill and set drill to run in a counterclockwise direction at high speed.
4. Work the drill in a circular motion while moving the brush in and out to clean all of the threads. Try not to hold the brush in one place too long, so as not to remove the stud's protective coating.
5. Blow out the threads with compressed air to remove loosened debris.
6. Visually inspect threads for cleanliness. Threads should be bright and shiny.
7. Repeat if any dirt can be seen in the threads.
8. Inspect threads for any damage that may have been caused by previous installation.
9. Do **not** apply thread lubricants such as "Never Seize" to the stud's threads.
10. Finish the cleaning process by rinsing in a volatile solvent such as acetone and allow to dry.

### 5.2.3 Stud Cleaning - Very Old Installations

If previous installation employed a thread locking compound, which will be visible as a grayish-green residue, remove as much of this compound as possible from the stud's threads.

Finish the cleaning process by rinsing in a volatile solvent such as acetone and allow to dry.



215 Clinton Road  
New Hartford, NY 13413  
Tel: +1 315 768 4855  
Fax: +1 315 768 4941  
Email: info@riverhawk.com

GE DRAWING NUMBER	REV
373A4075	-

### 5.3 Stud Length Measurement

Measure and record the initial lengths of the studs. The following suggestions will improve your results.

- Plan to start and finish any flange in the same day.
- Studs and flange must be at the same temperature.
- Number each stud with a marker for later stretch measurement tracking.
- Mark the location of measurement on stud end with a permanent marker.
- Measure each stud to nearest 0.001 inch (.01 mm).
- Record each measurement on the supplied record sheets.
- Do not allow the measuring instruments to sit in the sun.
- The same person should make all measurements.

### 6.0 Stud and Nut Assembly

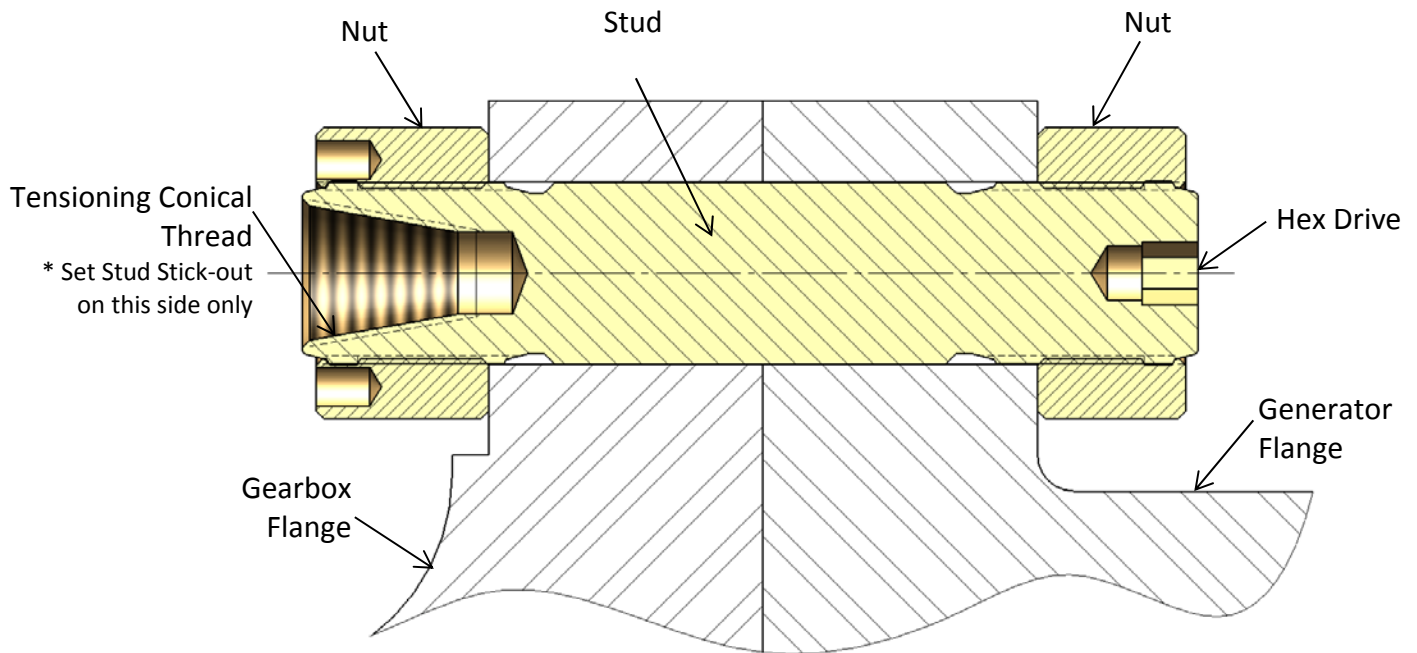
Refer to the hardware assembly drawing (HF-xxxx) listed in Section 2.0 of this manual.

1. Assemble the cylindrical nut to the internal, conical thread end of the stud.
2. Slide the stud and cylindrical nut assembly into the flange as shown in Figure 1.
3. Install the other nut on the backside.
4. Adjust the nut/stud assembly so that the stud protrudes (or sticks out) from the face of the cylindrical nut the distance specified on the hardware drawing (HF-xxxx). **SETTING THIS PROTRUSION OF STUD TO NUT IS CRITICAL FOR PROPER TENSIONER OPERATION.**
5. Hand tighten the assembly to a snug fit.
6. Recheck the stud stick-out length. If the stick-out length does not match the hardware drawing, adjust the nuts as necessary.



215 Clinton Road  
 New Hartford, NY 13413  
 Tel: +1 315 768 4855  
 Fax: +1 315 768 4941  
 Email: info@riverhawk.com

GE DRAWING NUMBER	REV
373A4075	-



**Figure 1** – Cross-section View of Gearbox to Generator Bolted Flange Connection

## 7.0 Hydraulic Tensioner Equipment Assembly

### 7.1 Hydraulic Equipment Inspection

#### 7.1.1 Hydraulic Tensioner Inspection

#### **CAUTION**

**Riverhawk recommends that the tensioner be returned to Riverhawk for periodic inspections. Replacement of obsolete tensioners is recommended. Functional upgrades are also recommended. The Riverhawk Service Returns Coordinator should be notified 3-6 months prior to a planned outage to schedule an inspection service.**

Do **not** bleed the air from the hydraulic lines and tensioner at this time. See section 8 for bleeding instructions on when to bleed the air from the hydraulic lines.

#### **WARNING**

**To avoid failure, ensure safety, and proper operation, the tensioner assembly must be installed on a stud in the flange before bleeding and pressurizing the tensioner. Do not use the tensioner at any pressure unless the tool is installed on a stud in a flange.**



215 Clinton Road  
 New Hartford, NY 13413  
 Tel: +1 315 768 4855  
 Fax: +1 315 768 4941  
 Email: info@riverhawk.com

GE DRAWING NUMBER	REV
373A4075	-



Check puller screw usage life with Riverhawk service bulletin SB-08001.

Clean puller screw and check for any debris and dents.

Inspect the tensioner guard for any signs of damage including cracked welds. Any guards modified in the field should be replaced. Bent guards should be replaced.

Inspect the outside of the tensioner for discoloration patterns that may indicate submersion and internal damage.

Perform an inventory of the loose equipment supplied with the tensioner. An inventory list is provided on the tensioner's technical drawing (for example Riverhawk HT-xxxx). Replacement parts are available from Riverhawk.

### 7.1.1.1 Hydraulic Tensioner's Burst Disc Replacement

The hydraulic tensioner's burst disc is a key element in the overall safe use of the hydraulic tensioner.

Each tensioner is shipped from our factory with one burst disc already installed in the tensioner and with another spare disc for field replacement. Extra burst discs are available from Riverhawk for replacement purposes.

To replace a damaged burst disc:

1. Remove the hydraulic port's dispersion nut, compression ring, and damaged burst disc.
2. Discard the damaged burst disc.
3. Clean the dispersion nut, compression ring, new burst disc, and the hydraulic port with a solvent to ensure a dirt-free installation.
4. Reassemble new burst disc, compression ring, and dispersion nut into the same hydraulic port.

#### Warning

**A damaged burst disc must be replaced with a with a burst disc of the same design and pressure rating. Do not substitute a damaged burst disc with a different disc type, a different pressure rating, or a foreign object.**

### 7.1.2 Hydraulic Pump Kit Inspection

Refer to the Hydraulic Pump Kit Instruction Manual, IM-293 (GE VENDOC 373A4058). The latest revision may be obtained by contacting Riverhawk Company or thru [www.riverhawk.com](http://www.riverhawk.com).



215 Clinton Road  
New Hartford, NY 13413  
Tel: +1 315 768 4855  
Fax: +1 315 768 4941  
Email: [info@riverhawk.com](mailto:info@riverhawk.com)

GE DRAWING NUMBER	REV
373A4075	-

## 7.2 Hydraulic Fittings

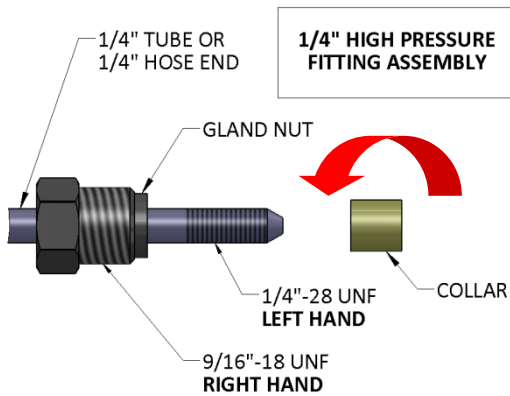


Illustration 1

Riverhawk tensioners use a 1/4" High Pressure port to connect its hydraulic hoses. The hose connector is made from a three piece assembly: a gland nut, a collar, and a 1/4" tube or 1/4" hose end. (See Illustration 1)

To assembly the fitting, slide the gland nut over the 1/4" tube or 1/4" hose end. Turn the collar counter-clockwise (**left hand** thread) on to the tube or hose end as shown in Illustration 1.

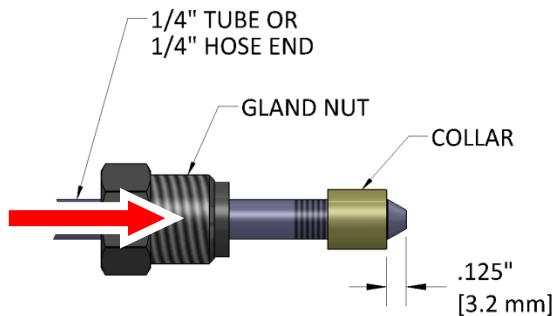


Illustration 2

The collar should be placed .125" (3.2 mm) from the tip of the cone. (See Illustration 2) It may be necessary to adjust this collar with a set of vise-grip pliers. Be careful to not strip the threads off the tube or hose end.

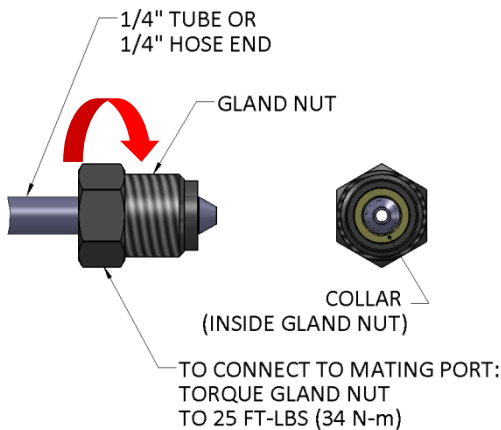


Illustration 3

Slide the gland nut down over the collar. (See Illustration 3) Insert the 1/4" tube or 1/4" hose end into tensioner or hydraulic pump. While firmly holding the tube or hose end to stop it from rotating, turn the gland nut clockwise (**right hand** thread) and torque the gland nut to 25 FT-LBS (34 N-m).

### Tips:

- Make sure all parts are clean and free from debris.
- Protect the cone on the end of the 1/4" tube or 1/4" hose end from scratches as this is the sealing surface.
- Replace red plastic caps when finished to protect the threads and cone.



215 Clinton Road  
New Hartford, NY 13413  
Tel: +1 315 768 4855  
Fax: +1 315 768 4941  
Email: info@riverhawk.com

GE DRAWING NUMBER	REV
373A4075	-

## 8.0 Assembly of Tensioner on Stud

Assemble the hydraulic pump with its hose to the tensioner and bleed out the air per following instructions in section 8.2.

Refer to the hardware assembly drawing (HF-xxxx) listed in Section 2.0 of this manual and the tensioner assembly drawing (HT-xxxx) listed in Section 4.5 of this manual to determine which side of the flange the tensioner must be located on in order to use the tensioner properly.

### 8.1 Assembly of Tensioner

Assembly sequence is as follows:

1. Open the hydraulic return valve on the pump to allow hydraulic fluid to be pushed back from the puller tool into the pump reservoir as the puller tool is tightened. (This is automatic on the air-operated hydraulic pump)
2. Place the spanner ring on the puller side nut.
3. Apply a light coat of clean turbine oil or a spray lubricant to the puller screw. Do not use "Never Seize" on the conical threads.
4. Place and hold the puller tool over the end to be tightened.
5. Insert the puller screw through the puller tool into the tapered thread of the stud and hand tighten
6. **Be sure not to cross-thread the assembly**
7. Tighten the puller screw using an open-end wrench and Allen wrench on the opposite end of the stud.
8. At this point the puller screw must be tight in the stud and the tensioner assembly **MUST BE FREE TO ROTATE.**
9. Position guard over flange and tensioner body.
10. Secure guard to tensioner using supplied thumb screw hardware.

#### CAUTION

**Do not over extend the stud. Over extension can cause the piston to lose its seal and leak oil.**

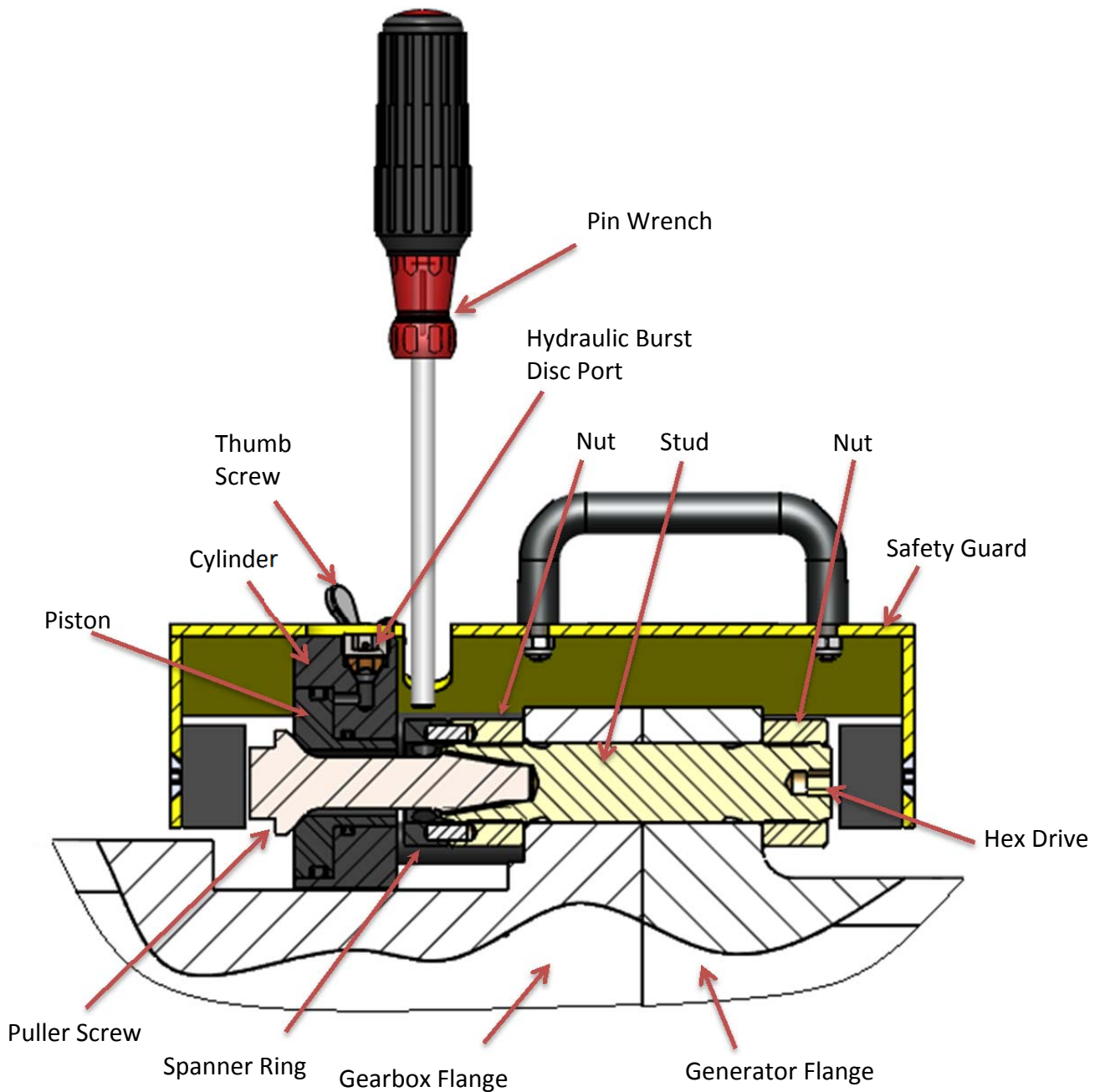
#### CAUTION

**Personal injury and equipment damage can occur if the puller screw is not securely engaged with the tapered threads of the stud. Proper engagement is achieved when the puller screw is tight in the stud and the tensioner assembly is free to turn.**



215 Clinton Road  
 New Hartford, NY 13413  
 Tel: +1 315 768 4855  
 Fax: +1 315 768 4941  
 Email: info@riverhawk.com

GE DRAWING NUMBER	REV
373A4075	-



**Figure 2** – Cross-section View of GT-6393 on 6B Gearbox Flange



215 Clinton Road  
 New Hartford, NY 13413  
 Tel: +1 315 768 4855  
 Fax: +1 315 768 4941  
 Email: info@riverhawk.com

GE DRAWING NUMBER	REV
373A4075	-

## 8.2 Bleeding the Hydraulic System

### WARNING

**To avoid failure, ensure safety, and proper operation, the tensioner assembly must be installed on a stud in the flange before bleeding and pressurizing the tensioner. Do not use the tensioner at any pressure unless the tool is installed on a stud in a flange.**

The tensioner assembly has three ports, one for pressurizing, one for bleeding the system, and a third pressure relief port. To facilitate bleeding, start by first mounting the tensioner at either the 3 o'clock or 9 o'clock stud position. The bleed port must always be oriented in the uppermost position. In addition, make sure that the pump is always situated below the tensioner assembly.

The tensioner is equipped with a 5/8 in. [16 mm] hex coned stem bleeder fitting installed. With this fitting loosened, stroke the pump repeatedly until the stream of oil exiting the tool is free of air then retighten the fitting.

**Note:** The hose is stiff; use of this tooling can be simplified by temporarily installing the tensioner on one stud prior to final tightening of fittings. This will reduce the tendency for the fittings to loosen during use.

## 9.0 Stud Tensioning

The studs will be tensioned in two steps, at approximately 50% pressure and at final pressure. Follow the tensioning sequence for each flange joint as defined on the data sheets found at the end of this manual.

### 9.1 Tensioning at 50% pressure

After the tensioner is properly installed apply hydraulic pressure to the tool. Bring the pressure to the 50% level in accordance with the following table.

### WARNING

**The safety guard must be in place before applying hydraulic pressure. Keep hands out of designated areas at all times when the tensioner is pressurized otherwise personal injury can occur.**

### CAUTION

**Before threading the puller screw into the stud, carefully check the cleanliness of both the stud's and the puller screw's conical threads. Apply a light coat of clean turbine oil or a spray lubricant to the puller screw. This procedure will ease assembly and assure positive mating of the threads before tightening. Do not use "Never Seize" on the conical threads.**



215 Clinton Road  
New Hartford, NY 13413  
Tel: +1 315 768 4855  
Fax: +1 315 768 4941  
Email: info@riverhawk.com

GE DRAWING NUMBER	REV
373A4075	-

**CAUTION**

Do not exceed the maximum pressure marked on the tensioner. Excessive pressure can damage the stud and puller screw.

**CAUTION**

Do not tighten the nut while the tool is coming up to pressure; wait until pressure is achieved before attempting to tighten the nut with the spanner ring. If the tool is not properly installed, the tool could jump off the stud while coming up to pressure.

<u>Flange Position</u>	<u>Stud Size</u>	<u>50% Pressure</u>	<u>50% Stretch</u>
Gearbox to Generator	1-1/4" [32 mm]	9000 psi [620 bar] w/ <b>GT-6393</b>	Do not measure Do not use

**9.1.1 Tightening of Nuts**

Turn the cylindrical nut using the spanner ring and pin wrench until it bottoms on the flange.

**9.2 Removing the Tensioner from an Installed Stud**

Puller tool removal is to be accomplished as follows:

1. Release the puller tool pressure by opening the valve on the pump. Leave valve open. (This is automatic on the air-operated hydraulic pump)
2. Loosen and remove thumb screws and safety guard.
3. Unscrew the puller screw using a wrench.
4. Tapping the wrench with a hammer may be necessary to loosen the puller screw.
5. Move the tool to the next stud/nut assembly to be tensioned, following the sequence/pattern as defined on the supplied data sheets.

**9.3 Tensioning at Final Pressure**

Repeat the pulling and tightening procedure stated above at full pressure. After all of the studs have been tensioned, measure the final stud length. The final pressure and required stretch values are listed in the following table.

**WARNING**

The safety guard must be in place applying hydraulic pressure. Keep hands out of designated areas at all times when the tensioner is pressurized otherwise personal injury can occur.



215 Clinton Road  
New Hartford, NY 13413  
Tel: +1 315 768 4855  
Fax: +1 315 768 4941  
Email: info@riverhawk.com

GE DRAWING NUMBER	REV
373A4075	-

**CAUTION**

Before threading the puller screw into the stud, carefully check the cleanliness of both the stud's and the puller screw's conical threads. Apply a light coat of clean turbine oil or a spray lubricant to the puller screw. This procedure will ease assembly and assure positive mating of the threads before tightening. Do not use "Never Seize" on the conical threads.

**CAUTION**

Do not exceed the maximum pressure marked on the tensioner. Excessive pressure can damage the stud and puller screw.

**CAUTION**

Do not tighten the nut while the tool is coming up to pressure; wait until pressure is achieved before attempting to tighten the nut with the spanner ring. If the tool is not properly installed, the tool could jump off the stud while coming up to pressure.

<u>Flange Position</u>	<u>Stud Size</u>	<u>Final Pressure</u>	<u>Final Stretch</u>
Gearbox to Generator	1-1/4" [32 mm]	18000 psi [1250 bar] w/ <b>GT-6393</b>	0.011" - 0.013" [0.28 mm - 0.33 mm]

Excessive stretch variations or low stretch values can be corrected by uninstalling all or selected studs to the pressure values stated in the above table. Have final stretch values approved by the supervisor responsible for the installation.

**9.3 Tightening of Nuts**

Turn the cylindrical nut using the spanner ring and pin wrench until it bottoms on the flange. Then apply torque to turn the nut an additional 10 deg. This will aid in achieving the desired stretch.

**10.0 Thread Locking**

Once pulling and tensioning is completed all stud nuts must be locked in position. Two methods of thread locking may be encountered in the field. Early version hardware entails a liquid thread locking compound while the current configuration employs a mechanical locking device. Each method is described in detail in Sections 10.1 and 10.2.



215 Clinton Road  
New Hartford, NY 13413  
Tel: +1 315 768 4855  
Fax: +1 315 768 4941  
Email: info@riverhawk.com

GE DRAWING NUMBER	REV
373A4075	-

### 10.1 Thread Locking Using a Liquid Locking Compound

These nuts have no visible locking feature. Contact Riverhawk Company if you have any of these older style nuts.

Riverhawk Company strongly recommends replacing this style of nut with the current nut with a re-useable mechanical locking feature.

### 10.2 Thread Locking Using a Mechanical Locknut



**Picture 5 - Riverhawk Locknut**

Mechanical lock nuts have two set screws located in the top face, see picture. Before threading the nut onto the stud check to be certain the set screws are free to turn. Once the nut is seated torque the set screws to the values specified in the following table. When seated and torqued to the values specified the load created by the set screw displaces the thread of the nut in the area of the web creating the desired locking action.

<u>Stud Size</u>	<u>Set Screw Size</u>	<u>Torque</u>
1-1/4" [32 mm]	#10-32 UN	30in·lbs - 36in·lbs [3.4N·m–4.1N·m]



215 Clinton Road  
 New Hartford, NY 13413  
 Tel: +1 315 768 4855  
 Fax: +1 315 768 4941  
 Email: info@riverhawk.com

GE DRAWING NUMBER	REV
373A4075	-



## 11.0 Stud and Nut Removal

Sections 11.1 and 11.2 respectively describe the procedures to be followed in removing nuts that have been locked with liquid locking compound and those with the mechanical locking feature.

### 11.1 Removal of Assemblies with Liquid Locking Compound

For those assemblies which have been locked with the liquid locking compound, removal is accomplished as follows:

- Using a wire brush and shop air clean the internal tapered thread of the stud to remove any debris/deposits that may have accumulated during service. (See section 5.2.2)
- Install the appropriate puller tool to the stud as described in Section. 8.0.
- Apply hydraulic pressure per the following table and without using unreasonable force attempt to loosen the nut using the spanner ring and spanner wrench. (See Figure 7)

<u>Flange Position</u>	<u>Stud Size</u>	<u>Final Pressure</u>
Gearbox to Generator	1-1/4" [32 mm]	18000 psi [1250 bar] w/ GT-6393

If the nut cannot be loosened, release the pressure and repeat the procedure.

- Ordinarily two or three attempts are sufficient to break the bond.
- Should the nut refuse to loosen after three attempts the application of heat will be required.

#### CAUTION

**Do not exceed the maximum pressure marked on the tensioner. Excessive pressure can damage the stud and puller screw.**

#### WARNING:

**FIRE HAZARD; DO NOT heat when the tensioner is in place. Personal injury or equipment damage may occur. Use of an Oxy-Acetylene torch is not recommended**

Apply a smear of 550/650-deg F tempil stick to the side of the nut opposite the application of heat and heat the nut using a propane torch. Continue to apply heat until the tempil smear indicates that the nut has reached 550/650 deg F. **Never overheat to a cherry red condition.** Remove the source of heat and as quickly as possible reinstall the appropriate puller tool, apply the appropriate pressure per the following table and loosen the nut. Then release the pressure and remove the puller tool.



215 Clinton Road  
New Hartford, NY 13413  
Tel: +1 315 768 4855  
Fax: +1 315 768 4941  
Email: info@riverhawk.com

GE DRAWING NUMBER	REV
373A4075	-

## 11.2 Removal of Assemblies with Mechanical Locknuts

For those assemblies which have been locked using mechanical lock nuts, removal is accomplished as follows:

1. Using a wire brush, GT-4354, and shop air clean the internal tapered thread of the stud to remove any debris/deposits which may have accumulated during service. (see section 5.2.2)  
With an Allen-wrench loosen the two locking set screws but do not remove from nut.



**Picture 6** - Loosening of a nut's set screws

2. Install the appropriate puller tool to the stud as described in Section 8.0.
3. Apply the appropriate hydraulic pressure per the table of Section 11.1 and using the spanner ring and spanner wrenches loosen the nut, then release the pressure and remove the puller tool.

## 12.0 Storage Instructions

Follow these directions to properly store your hydraulic tensioner and hydraulic pump kit for long term storage and shipment.

If any damage is observed, contact the Riverhawk Company to schedule a maintenance inspection.

### 12.1 Hydraulic Pump Kit Storage

Refer to the Hydraulic Pump Kit Instruction Manual, IM-293 (GE VENDOC 373A4058). The latest revision may be obtained by contacting Riverhawk Company or thru [www.riverhawk.com](http://www.riverhawk.com).



215 Clinton Road  
New Hartford, NY 13413  
Tel: +1 315 768 4855  
Fax: +1 315 768 4941  
Email: [info@riverhawk.com](mailto:info@riverhawk.com)

GE DRAWING NUMBER	REV
373A4075	-

## 12.2 Hydraulic Tensioner Storage

Check the tensioner for any damage.

1. Clean puller screw and check for any debris and dents.
2. Puller screw should be free to rotate and move back and forth.
3. Seam between the cylinder and its end cap is closed tightly.
4. Inspect tensioner guard for any signs of damage. Bent guards should be replaced. Missing rubber pads must be replaced.

If any damage is observed, contact the Riverhawk Company to schedule a maintenance inspection.

Place protective red plastic cap into the hydraulic port.

Coat the hydraulic tensioner with a light coat of oil and place the tensioner into the original shipping container.

## 12.3 Store shipping container

Secure the hydraulic pump and hydraulic tensioner into the original shipping containers using the supplied wood braces.

Seal the original shipping container and store under shelter and protected from moisture, sand, and grit.

## 13.0 Frequently Asked Questions

This section contains some frequently asked questions and problems. If the steps listed here do not solve your problem, contact the Riverhawk Company thru our website, email, or phone call.

**Q:** Can I rent a hydraulic tensioner kit?

**A:** Yes, Riverhawk has rental tensioner kits available for most of our hydraulic tensioners.



215 Clinton Road  
New Hartford, NY 13413  
Tel: +1 315 768 4855  
Fax: +1 315 768 4941  
Email: info@riverhawk.com

GE DRAWING NUMBER	REV
373A4075	-

**Q:** A tensioner has pulled itself out of the stud's conical threads. Can I continue using a tensioner on this stud?

**A:** No. Both the tensioner and the stud may have been damaged and must be removed from the work area. If the stud is tensioned, a Nut Buster repair kit, from Riverhawk, must be used to remove the damaged stud by drilling out the nut. Leaving a damaged stud in place will lead to a safety hazard on future outages.

Riverhawk can supply a replacement stud and nut based on the initial weight certification supplied with the hardware set (see section 4.2). The damaged tensioner should also be returned to Riverhawk for inspection and repair.

If a stud must be left in place, paint the damaged stud with a generous amount of indelible, bright-colored paint. Notify the appropriate GE Safety and Service personnel. Note the location of the damaged stud in the services notes for the machine.

**Q:** The hydraulic tensioner has been taken up to its final pressure. The final stretch length is short of the final stretch target. What is the next step?

**A:** Do not increase the hydraulic pressure. Check if the hydraulic pump is set to the right pressure. Install the tensioner and re-pressurize the tensioner to the final pressure then recheck the stretch measurement. If the stretch value is still short, remove the stud from the hole and re-measure the stud's initial length then try to install the stud again.

**Q:** The hydraulic tensioner has been taken up to its final pressure. The final stretch length is larger than the final stretch target. What is the next step?

**A:** Remove the stud from the bolt hole. Check if the hydraulic pump is set to the right pressure. Re-measure the stud's initial length then try to install the stud again.

**Q:** Is there an easier way to support or move the tensioner around the coupling shaft?

**A:** Use two straps. One around the coupling shaft and the other attach to an overhead support. Straps must be slack while installing the tensioner on a stud and while tensioning.



215 Clinton Road  
New Hartford, NY 13413  
Tel: +1 315 768 4855  
Fax: +1 315 768 4941  
Email: info@riverhawk.com

GE DRAWING NUMBER	REV
373A4075	-

- Q:** The tensioner is at its final pressure, but the nut cannot be loosened.
- A:** If the nuts cannot be loosened at the final pressure, continually increasing the pressure will not help and can be dangerous and in some cases make it harder to remove the nut. Check the nut to see if its set screws have been loosened. Check for and remove any corrosion around the nut's threads.
- Q:** How do I clean the conical threads on a stud?
- A:** The conical threads are best cleaned using a spiral wound brass brush in a drill as described in section 5.2.2
- Q:** During the initial steps of removing a tensioned stud, the stick-out length is found to be wrong.
- A:** Do not proceed. Contact Riverhawk for assistance. With the wrong stick-out length, the hydraulic tensioner has a limited stroke and may not work properly and can be damaged.
- Q:** The hydraulic pump appears to be leaking.
- A:** Check the hose connection to the hydraulic pump. If the 1/4" high pressure fitting is not assembled correctly as shown in section 7.2, it may look like the pump is leaking. If the problem continues, it may be necessary to return the pump kit to the Riverhawk factory. Contact Riverhawk for guidance.
- Q:** The hydraulic hose has a collar on it that can't be moved by hand
- A:** The hydraulic fitting is shown in section 7.2. The collar is sometimes held in place with a thread locking compound. This prevents the collar from moving too easily. It may be necessary to adjust this collar with a set of vise-grip pliers. Be careful to not strip the threads off the tube or hose end.



215 Clinton Road  
New Hartford, NY 13413  
Tel: +1 315 768 4855  
Fax: +1 315 768 4941  
Email: info@riverhawk.com

GE DRAWING NUMBER	REV
373A4075	-

### 14.0 Revision History

Revision Letter	Effective Date	Description
-	Jun 14, 2014	Released



215 Clinton Road  
New Hartford, NY 13413  
Tel: +1 315 768 4855  
Fax: +1 315 768 4941  
Email: info@riverhawk.com

GE DRAWING NUMBER	REV
373A4075	-

**Appendix A1**

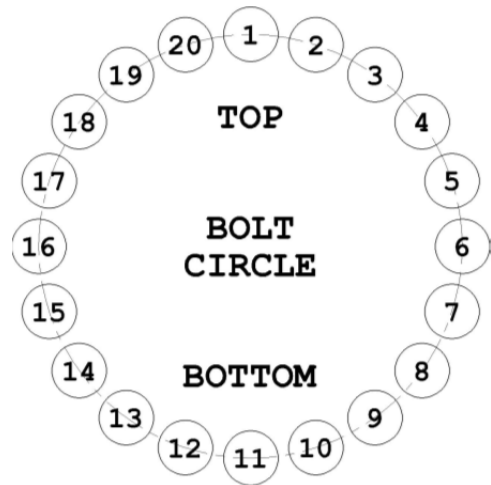
STRETCH RECORD SHEET FOR  
THE GEARBOX TO GENERATOR

TURBINE NUMBER:

DATE:

TECHNICIAN:

SUPERVISOR:



HOLE NUMBER	STARTING LENGTH	FINAL LENGTH	FINAL STRETCH
1			
11			
12			
2			
3			
13			
14			
4			
5			
15			
16			
6			
7			
17			
18			
8			
9			
19			
20			
10			



215 Clinton Road  
New Hartford, NY 13413  
Tel: +1 315 768 4855  
Fax: +1 315 768 4941  
Email: info@riverhawk.com

GE DRAWING NUMBER	REV
373A4075	-

**Appendix A2**

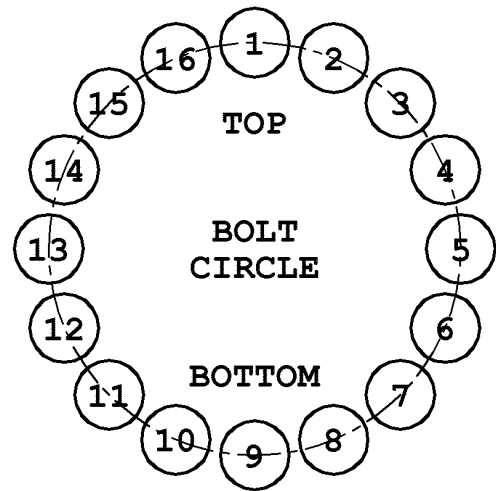
STRETCH RECORD SHEET FOR  
THE GEARBOX TO GENERATOR

TURBINE NUMBER:

DATE:

TECHNICIAN:

SUPERVISOR:



HOLE NUMBER	STARTING LENGTH	FINAL LENGTH	FINAL STRETCH
1			
9			
10			
2			
3			
11			
12			
4			
5			
13			
14			
6			
7			
15			
16			
8			



215 Clinton Road  
New Hartford, NY 13413  
Tel: +1 315 768 4855  
Fax: +1 315 768 4941  
Email: info@riverhawk.com

GE DRAWING NUMBER	REV
373A4075	-



## Appendix B: EC Declaration of Conformity

Manufacturer: Riverhawk Company  
Address: 215 Clinton Road  
New Hartford NY, 13413, USA

The hydraulic pump and bolt tensioning tool described in this manual are used for installing and applying tension to large bolts that are specifically designed by Riverhawk Company to be tensioned hydraulically.

All applicable sections of European Directive 2006/42/EC for machinery have been applied and fulfilled in the design and manufacture of the hydraulic pump and bolt tensioning tool described in this manual.

All applicable sections of European Directive 97/23/EC for pressurized equipment have been applied and fulfilled in the design and manufacture of the hydraulic pump and bolt tensioning tool described in this manual

Furthermore, this equipment has been manufactured under the Riverhawk quality system per EN ISO 9001:2008

Consult the Declaration of Conformance included with the shipment of this equipment that identifies the authorized Riverhawk representative, applicable serial numbers, and appropriate signature.



215 Clinton Road  
New Hartford, NY 13413  
Tel: +1 315 768 4855  
Fax: +1 315 768 4941  
Email: info@riverhawk.com

GE DRAWING NUMBER	REV
373A4075	-