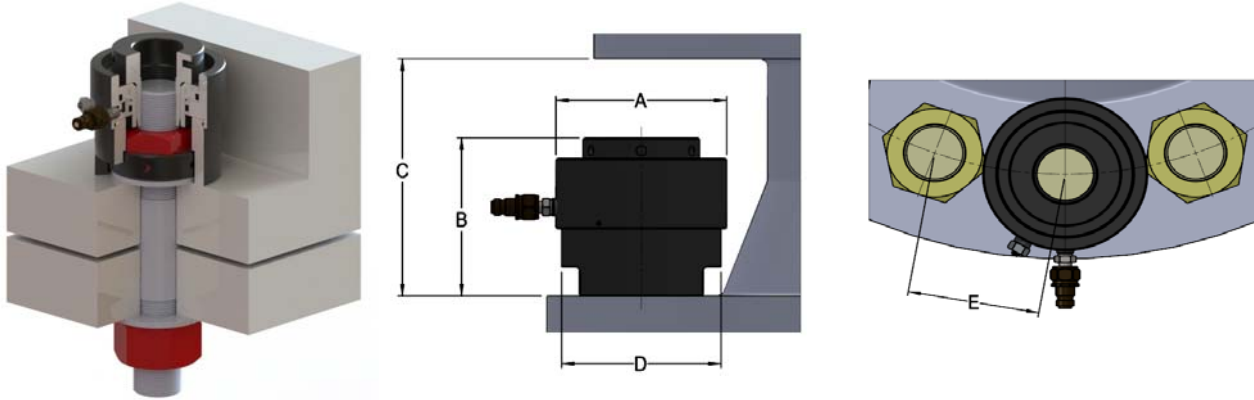
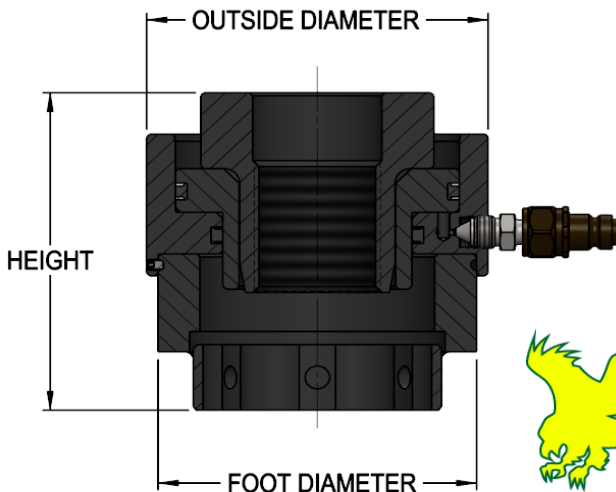


RIVERHAWK BOLT TENSIONER DATA SHEET



Frame Size	Part Number	Bolt Diameter (Inches)	Maximum Load (LB)	Pressure Area (IN ²)	Outside Diameter (Inches) 'A'	Pitch (Inches) 'E'	Foot Diameter (Inches) 'D'	Tool Height (Inches) 'C'	Weight (LB)
1	HET-0750	0.750	57,700	2.84	3.00	1.94	2.43	4.42	10
	HET-0875	0.875				2.13	2.60	4.55	10
	HET-1000	1.000				2.32	2.77	4.67	10
	HET-1125	1.125				2.45	2.81	4.72	10
2	HET-1125	1.125	99,400	4.97	4.06	2.66	3.22	4.94	15
	HET-1250	1.250				2.86	3.42	4.94	15
	HET-1375	1.375				3.06	3.60	5.06	15
	HET-1500	1.500				3.22	3.69	5.18	15
3	HET-1500	1.500	176,800	8.84	5.41	3.52	4.29	4.99	20
	HET-1625	1.625				3.72	4.48	5.12	20
	HET-1750	1.750				3.91	4.64	5.25	20
	HET-1875	1.875				4.10	4.81	5.39	20
	HET-2000	2.000				4.32	5.04	5.45	20
4	HET-2000	2.000	327,000	16.35	7.00	4.61	5.61	5.84	34
	HET-2250	2.250				4.96	5.88	6.09	34
	HET-2500	2.500				5.43	6.38	6.34	36
5	HET-2500	2.500	397,600	19.88	8.11	5.59	6.71	6.14	48
	HET-2750	2.750				5.88	6.85	6.39	48
	HET-3000	3.000				6.30	7.25	6.64	48
6	HET-3000	3.000	615,600	30.78	10.21	6.58	7.82	6.52	76
	HET-3250	3.250				6.96	8.14	6.99	78
	HET-3500	3.500				7.33	8.46	7.02	78
	HET-3750	3.750				7.72	8.81	7.27	80
	HET-4000	4.000				8.04	9.00	7.52	78



Notes:

- 1) Maximum Operating Pressure: 20,000 PSI
- 2) Maximum Piston Stroke: 0.590 in (15 mm)
- 3) Maximum lifting weight excludes puller nut weight
- 4) Instruction manual provided
- 5) All tools are tested at maximum pressure prior to shipping
- 6) Multiple tools can be linked together for simultaneous tensioning
- 7) Dimensions are subject to change due to continual product development
- 8) Custom Designs available if above designs do not fit your application

215 Clinton Road
New Hartford, New York 13413
Ph. 315.768.4855
info@riverhawk.com
www.riverhawk.com

