




INSTRUCTION MANUAL IM-367
For Gas Turbine Tensioned
Studs and Nuts

Applicable Bolting Connections

Frame 6F.01 Gas Turbine to Generator

Applicable GE Ordering Sheet Part Numbers

114T4434P001	114T4434P007
114T4434P002	114T4434P008
114T4434P003	114T4434P009
114T4434P004	
114T4434P005	
114T4434P006	

	GE Power Generation	GENERAL ELECTRIC COMPANY	
<u>VENDOR SUPPLIED</u>			
GE NOT TO REVISE. GE REVISION LEVEL IS SHOWN ON THIS APPLIQUE. THIS DOCUMENT IS FILED UNDER THE GE DRAWING NUMBER.			
THIS DOCUMENT SHALL BE REVISED IN ITS ENTIRETY. ALL SHEETS OF THIS DOCUMENT ARE THE SAME REVISION LEVEL AS INDICATED IN THIS VENDOR SUPPLIED DRAWING APPLIQUE.			
MLI: _____ OF _____			
GE SIGNATURES	DATE	GE DRAWING NUMBER	REV
CHECKED:		373A4081	B
ISSUED:			

The Riverhawk Company reserves the right to update this document without dissemination or notice.
 The latest revision may be obtained by contacting Riverhawk Company or thru www.riverhawk.com.

215 Clinton Road
 New Hartford, NY 13413
 Tel: +1 315 768 4855
 Fax: +1 315 768 4941
 Email: info@riverhawk.com

Table of Contents

Section	Description	Page Number
1.0	Cautions and Safety Warnings	3
2.0	Scope and GE Part Number Cross Reference	5
3.0	Quick Checklist	7
4.0	General Preparations	10
5.0	Hardware Set Preparations	13
6.0	Stud and Nut Assembly	15
7.0	Hydraulic Tensioner Equipment Assembly	17
8.0	Assembly of Tensioner on Stud	19
9.0	Stud Tensioning	23
10.0	Thread Locking the Nut	25
11.0	Stud and Nut Removal	26
12.0	Storage Instructions	30
13.0	Frequently Asked Questions	31
14.0	Revision History	33
Appendix A1	EC Declaration of Conformity	34
Appendix B1	24-Bolt Tensioning Pattern (GT-LC) Record Sheet	35
Appendix B2	24-Bolt Tensioning Pattern (LC-LG) Record Sheet	36



215 Clinton Road
 New Hartford, NY 13413
 Tel: +1 315 768 4855
 Fax: +1 315 768 4941
 Email: info@riverhawk.com

GE DRAWING NUMBER	REV
373A4081	B

1.0 Cautions and Safety Warnings

WARNING

Improper tool use and the failure to follow the correct procedures are the primary root causes of tool failures and personal injuries. A lack of training or experience can lead to incorrect hardware installation or incorrect tool use. Only trained operators with careful, deliberate actions should use hydraulic tensioners. Contact Riverhawk Company with any training needs.

WARNING

Risk of high pressure hydraulic fluid injection. Riverhawk tools operate under high pressure. Thoroughly inspect all hoses and connections for damage or leaks prior to using this equipment.

CAUTION

Personal injury and equipment damage can occur if the proper health and safety codes and procedures are not followed. Contact the site's health and safety office to determine all applicable safety rules and regulations.

WARNING

The proper personal protective equipment must be worn at all times. Riverhawk recommends at a minimum, safety glasses, long sleeve shirt, hard hat, heavy work gloves, and steel toe shoes.

CAUTION

It is especially important to check the condition of the conical thread used to tension the stud. Thread damage from previous abuse can lead to failure of the stud or tensioning equipment

CAUTION

Riverhawk recommends that the tensioner should be returned to Riverhawk for periodic inspections. Replacement of obsolete tensioners is recommended. Functional upgrades are also recommended. Riverhawk should be notified 3-6 months prior to a planned outage to schedule an inspection service.

WARNING

A damaged burst disc must be replaced with a burst disc of the same design and pressure rating. Do not substitute a damaged burst disc with a different disc type, a different pressure rating, or a foreign object.



215 Clinton Road
New Hartford, NY 13413
Tel: +1 315 768 4855
Fax: +1 315 768 4941
Email: info@riverhawk.com

GE DRAWING NUMBER	REV
373A4081	B

WARNING

To avoid failure, ensure safety, and proper operation, the tensioner assembly must be installed on a stud in the flange before bleeding and pressurizing the tensioner. Do not use the tensioner at any pressure unless the tool is installed on a stud in a flange.

CAUTION

Personal injury and equipment damage can occur if the puller screw is not securely engaged with the tapered threads of the stud. Proper engagement is achieved when the puller screw is tight in the stud and the tensioner assembly is free to turn.

WARNING

The safety cage must be in place at all times. When the tensioner is pressurized hands must be kept out of designated areas to avoid any potential for personal injury.

CAUTION

Before threading the puller screw into the stud, carefully check the cleanliness of both the stud's and the puller screw's conical threads. Apply a light coat of clean turbine oil or a spray lubricant to the puller screw. This procedure will ease assembly and assure positive mating of the threads before tightening. Do not use "Never Seize" on the conical threads.

CAUTION

Do not tighten the nut while the tool is coming up to pressure; wait until pressure is achieved before attempting to tighten the nut with the spanner ring. If the tool is not properly installed, the tool could jump off the stud while coming up to pressure.

CAUTION

Do not exceed the maximum pressure marked on the tensioner. Excessive pressure can damage the stud and the tensioner.

WARNING

FIRE HAZARD: DO NOT apply heat when tensioner is in place. Personal injury or equipment damage may occur. Use of an Oxy-Acetylene torch is not recommended.

WARNING

Do not use a hydraulic tensioner to remove a stud with damaged conical threads.



215 Clinton Road
New Hartford, NY 13413
Tel: +1 315 768 4855
Fax: +1 315 768 4941
Email: info@riverhawk.com

GE DRAWING NUMBER	REV
373A4081	B

2.0 Scope and GE Part Number Cross Reference

This document describes the procedure to be used to install the stud and nut sets supplied by the Riverhawk Company for the flanges at the Gas Turbine/Load Coupling and Load Coupling/Load Gear connections. The Load Gear/Generator connection is described by a different manual as listed in the following sections.

The various frame configurations covered in this manual are listed in Sections 2.1 through 2.3 with differences as related to connective hardware defined. Listed also are the pertinent hardware drawings (HF-xxxx). These drawings as well as tooling drawings (HT-xxxx) form part of this manual.

2.1 Frame 6F.01 Gas Turbine to Generator

GE PART NUMBER	RIVERHAWK P/N	GE VENDOC P/N
GE 114T4434P001	HF-6837	101B0648
GE 114T4434P002	HF-6837	101B0648

The hydraulic tools used for installation and removal are Riverhawk HT-6865 (load coupling) and HT-7269 (generator).

These hardware drawings depicts the complete stud and nut package for both Gas Turbine to Load Coupling and Load Coupling to Load Gear (1-1/8" size, Qty 24) as well as Load Gear to Generator (1-5/8" size, Qty 20).

Note: This manual covers HT-6865 tensioner (1-1/8" hardware) **only**.
See manual IM-392 (GE 373A4098) for instructions for HT-7269.

2.2 Frame 6F.01 Gas Turbine to Generator

GE PART NUMBER	RIVERHAWK P/N	GE VENDOC P/N
GE 114T4434P004	HF-7405	101B0676
GE 114T4434P005	HF-7405	101B0676

The hydraulic tools used for installation and removal are Riverhawk HT-6865 (load coupling) and HT-6866 (generator).

These hardware drawings depicts the complete stud and nut package for both Gas Turbine to Load Coupling and Load Coupling to Load Gear (1-1/8" size, Qty 24) as well as Load Gear to Generator (1-5/8" size, Qty 20).



215 Clinton Road
New Hartford, NY 13413
Tel: +1 315 768 4855
Fax: +1 315 768 4941
Email: info@riverhawk.com

GE DRAWING NUMBER	REV
373A4081	B

Note: This manual covers HT-6865 tensioner (1-1/8" hardware) **only**.
 See manual IM-368 (GE 373A4082) for instructions for HT-6866.

2.3 Frame 6F.01 Gas Turbine to Generator

GE PART NUMBER	RIVERHAWK P/N	GE VENDOC P/N
GE 114T4434P007	HF-7565	101B0684
GE 114T4434P008	HF-7565	101B0684

The hydraulic tools used for installation and removal are Riverhawk HT-6865 (load coupling) and HT-6754 (generator).

These hardware drawings depicts the complete stud and nut package for both Gas Turbine to Load Coupling and Load Coupling to Load Gear (1-1/8" size, Qty 24) as well as Load Gear to Generator (2" size, Qty 18).

Note: This manual covers HT-6865 tensioner (1-1/8" hardware) **only**.
 See manual IM-406 (GE 373A4099) for instructions for HT-6754.

2.4 Hydraulic Tooling

GE PART NUMBER	RIVERHAWK P/N	GE VENDOC P/N
GE 114T4434P003	HT-6865	GE 101B0649
	HT-7269	GE 101B0673
	MP-0130	GE 359B2506
GE 114T4434P006	HT-6865	GE 101B0649
	HT-6866	GE 101B0650
	MP-0130	GE 359B2506
GE 114T4434P009	HT-6865	GE 101B0649
	HT-6754	GE 101B0647
	AP-0532	GE 359B2502

Note: Hydraulic tooling list is for all related tooling for the gas turbine to generator connections.
 This manual covers HT-6865 tensioner (1-1/8" hardware) **only**.
 See manual IM-392 (GE 373A4098), IM-368 (GE 373A4082), or IM-406 (GE 373A4099) for instructions to other tooling listed above.



215 Clinton Road
 New Hartford, NY 13413
 Tel: +1 315 768 4855
 Fax: +1 315 768 4941
 Email: info@riverhawk.com

GE DRAWING NUMBER	REV
373A4081	B

3.0 Quick Checklist

The following checklist is intended as a summary of the steps needed to use the Riverhawk-supplied equipment. New personnel or those experienced personnel who have not used the Riverhawk equipment recently are encouraged to read the entire manual.

EQUIPMENT INSPECTION

- Check oil level in hydraulic pump.
- Check air pressure at 80psi [5.5 bar] minimum. (For air-driven pumps)
- Check hydraulic hose for damage.
- Test pump.
- Inspect tensioner for any damage.

NUT AND STUD PREPARATION

- Inspect studs and nuts for any damage.
- Clean the studs and nuts.
- Measure stud lengths. (VERY IMPORTANT)
- Loosely place studs and nuts into the flange. The studs are not centered in the flange.
- Set stick-out dimension on the coupling side of the flange.
- Hand tighten nuts on gas turbine or load gear side of flange.
- Verify stick-out measurement (**VERY IMPORTANT**)

TENSIONING (Bolt Installation)

- Check tensioner drawing for correct parts and part numbers.



215 Clinton Road
 New Hartford, NY 13413
 Tel: +1 315 768 4855
 Fax: +1 315 768 4941
 Email: info@riverhawk.com

GE DRAWING NUMBER	REV
373A4081	B

- Apply a light coat of clean turbine oil or spray lubricant to the puller screw. **DO NOT USE “NEVER SEIZE” ON THE CONICAL THREADS.**
- Install the spanner ring onto the nut.
- Thread the puller screw into the stud.
- Insert an Allen wrench into the back side of the stud.
- Insert another Allen wrench into the puller screw. While holding the stud still, tighten the puller screw until hand tight and then loosen the puller screw 1/2 of a turn.
- Retighten the puller screw until slightly hand tight. **DO NOT BACK OFF PULLER SCREW.**
- Slide the foot over the puller stud and orientate the foot into position.
- Thread the tensioner onto puller screw until it stops. There should be a 1/16” to 3/16” gap between the foot and tensioner.
- Place the guard over the tensioner and position the guide pin into the hole in the backside of the stud.
- Tighten the guard’s knurled interlock fitting by hand until it presses firmly against tensioner (no gap).
- Push the center of the interlock fitting towards the tensioner while pulling back on the fitting’s pull tabs until it locks onto the tensioner and release the pull tabs.
- Connect the hydraulic pump to the tensioner and tension to 50%. Consult manual for correct pressure.
- Use the pin wrench to turn the spanner ring to firmly tighten nut with 10 ft·lbs [13.5 N·m] of torque.
- Release pressure and allow the tensioner to fully retract.
- Disconnect the hose and release the interlock fitting by pushing the center of the interlock fitting towards the tensioner while pulling back on the fitting’s pull tabs.
- Loosen the knurled interlock fitting and remove the guard.



215 Clinton Road
New Hartford, NY 13413
Tel: +1 315 768 4855
Fax: +1 315 768 4941
Email: info@riverhawk.com

GE DRAWING NUMBER	REV
373A4081	B

- Unscrew the tensioner from the puller screw.
- Remove the foot, the puller screw, and the spanner ring.
- Move to the next stud in the pattern and repeat the previous steps. Tension all studs to 50% before proceeding to final pressure.
- Repeat above steps at final pressure.
- Measure final stud length and record on stretch datasheets. Calculate stretch and verify per section 9.3.
- Torque the nuts' set screws.

DETENSIONING (Stud Removal)

- If present, loosen the windage plugs' set screws and remove the windage plugs from the studs.
- Loosen nuts' set screws
- Inspect and clean studs' conical threads. **Do not continue until ALL debris is removed from the threads!** See instruction manual IM-220. **Do not try to use the tensioner to remove a damaged stud!**
- Apply a light coat of clean turbine oil or spray lubricant to the puller screw. **DO NOT USE "NEVER SEIZE" ON THE CONICAL THREADS.**
- Install the spanner ring onto the nut.
- Thread the puller screw into the stud.
- Insert an Allen wrench into the back side of the stud.
- Insert another Allen wrench into the puller screw. While holding the stud still, tighten the puller screw until hand tight and then loosen the puller screw 1/2 of a turn.
- Retighten the puller screw until slightly hand tight. **DO NOT BACK OFF PULLER SCREW.**
- Slide the foot over the puller stud and orientate the foot into position.



215 Clinton Road
 New Hartford, NY 13413
 Tel: +1 315 768 4855
 Fax: +1 315 768 4941
 Email: info@riverhawk.com

GE DRAWING NUMBER	REV
373A4081	B

- Thread the tensioner onto puller screw until it stops. There should be a 1/16" to 3/16" gap between the foot and tensioner.
- Place the guard over the tensioner and position the guide pin into the hole in the backside of the stud.
- Tighten the guard's knurled interlock fitting by hand until it presses firmly against tensioner (no gap).
- Push the center of the interlock fitting towards the tensioner while pulling back on the fitting's pull tabs until it locks onto the tensioner and release the pull tabs.
- Connect the hydraulic pump to the tensioner and tension to final pressure. Consult manual for correct pressure per section 11.2.
- Loosen nut with the spanner ring and pin wrench.
- Release pressure and allow the tensioner to fully retract.
- Disconnect the hose and release the interlock fitting by pushing the center of the interlock fitting towards the tensioner while pulling back on the fitting's pull tabs.
- Loosen the knurled interlock fitting and remove the guard.
- Unscrew the tensioner from the puller screw.
- Remove the foot, puller screw, and spanner ring. It may be necessary to insert an Allen wrench into the backside of the stud to stop the stud from rotating.
- Move to the next stud in the pattern.

4.0 General Preparations

Read and understand all instructions before installing and tensioning studs.

Operators should be trained or have previous experience using Riverhawk tensioning equipment. Training will minimize the chance of improper use of the equipment.

The hydraulic tooling including the hydraulic hoses should be inspected prior to use. Inspection guidelines are listed in the following sub-sections.



215 Clinton Road
New Hartford, NY 13413
Tel: +1 315 768 4855
Fax: +1 315 768 4941
Email: info@riverhawk.com

GE DRAWING NUMBER	REV
373A4081	B

This equipment produces very high hydraulic pressures and very high forces. Operators must exercise caution and wear the appropriate personal protective equipment when handling and operating the hydraulic tooling.

High-pressure oil from the hydraulic pump pressurizes the tensioner which generates a very large force that actually stretches the stud. As the stud is stretched the nut lifts off the flange. The nut is then turned by hand using the supplied spanner ring. Once the nut is tight against the flange, the pressure in the tensioner is released. The hardware is now clamping the flange together.

4.1 Machine Preparation

The flange to be tensioned must be fully closed prior to positioning the studs in the flanges. There must be provisions for turning the shafts of the gas turbine, load coupling, load gear, and generator. Also, it will be advantageous to remove as many obstructions as possible from the flange area, such as speed probes and conduit.

4.2 Hardware – Balance

The studs are supplied in a component balanced set for the entire flange. A stud can be exchanged with another stud in its set without affected the overall balance of the equipment. Do not exchange a stud from one set with another stud from a different set for another turbine. When shipped from Riverhawk, the studs are not assigned to any specific hole in the bolted flange; this is optional and can be done at the installation site. The set size is determined by the relevant GE order drawing (see section 2.0).

The nuts are supplied in component balanced sets for the entire flange. A nut can be exchanged with another nut in its set without affected the overall balance of the equipment. Do not exchange a nut from one set with another nut from a different set for another turbine. When shipped from Riverhawk, the nuts are not assigned to any specific hole in the bolted flange; this is optional and can be done at the installation site. The set size is determined by the relevant GE order drawing (see section 2.0).

A weight balance certification is supplied with each order. Store this certification in an appropriate location as it will be needed for the acquisition of replacement equipment.

4.3 Tensioner – Care and Handling

When not in use, the tensioner shall be maintained in a clean environment and all caps and plugs for hydraulic openings and fittings must be in place.



215 Clinton Road
New Hartford, NY 13413
Tel: +1 315 768 4855
Fax: +1 315 768 4941
Email: info@riverhawk.com

GE DRAWING NUMBER	REV
373A4081	B

Use ISO 32 grade oil.

When in use, the tensioner shall be protected from sand and grit.

See section 12 for long term storage requirements.

4.4 Hand Tools

Several hand wrenches and micrometers may be required to perform installation and measurement of the studs:

5/8" Wrench	3' to 4' (90cm-120cm) Breaker Bar
22mm Wrench	5" to 6" (125mm-150mm) Micrometer
A set of Allen Wrenches (inch series)	7" to 8" (175mm-200mm) Micrometer
1' to 2' (30cm-60cm) Breaker Bar	8" to 9" (200mm-225mm) Micrometer

4.5 Special Tools

Hydraulic Tensioner Kit:	HT-6865 Hydraulic Tensioner, 1-1/8" (reference GE VENDOC 101B0649)
	HT-6754 Hydraulic Tensioner, 2" (see manual IM-406, GE VENDOC 373A4099) (reference GE VENDOC 101B0647)
	HT-6866 Hydraulic Tensioner, 1-5/8" (see manual IM-368, GE VENDOC 373A4082) (reference GE VENDOC 101B0650)
	HT-7269 Hydraulic Tensioner, 1-5/8" (see manual IM-392, GE VENDOC 373A4098) (reference GE VENDOC 101B0673)
	MP-0130 Manual Hand-Operated Hydraulic Pump (reference GE VENDOC 359B2506)
Hydraulic Pump Kit:	AP-0532 Air-Operated Hydraulic Pump (reference GE VENDOC 359B2502)



215 Clinton Road
New Hartford, NY 13413
Tel: +1 315 768 4855
Fax: +1 315 768 4941
Email: info@riverhawk.com

GE DRAWING NUMBER	REV
373A4081	B

Stud Cleaning Kit: GT-4354 Stud Cleaning Kit
(recommended)
(reference GE VENDOC 373A4027)

CAUTION

Riverhawk recommends that the tensioners be returned to Riverhawk for periodic inspections. Replacement of obsolete tensioners is recommended. Functional upgrades are also recommended. The Riverhawk Service Returns Coordinator should be notified 3-6 months prior to a planned outage to schedule an inspection service.

5.0 Hardware Set Preparations

5.1 Nut Preparation



Picture 5A - Riverhawk Locknut

If there is any visible damage on a nut, do not use the nut and contact the Riverhawk Company for a replacement nut. Please be prepared to supply the turbine number, weight certification, and digital photographs for evaluation.

5.1.1 Nut Cleaning - New Installations

For new installations, the nuts should come sealed from the factory and will need no cleaning.

Before threading the nut onto the stud, the set screws should be loose and free to turn.



215 Clinton Road
New Hartford, NY 13413
Tel: +1 315 768 4855
Fax: +1 315 768 4941
Email: info@riverhawk.com

GE DRAWING NUMBER	REV
373A4081	B

5.1.2 Nut Cleaning - Old Installations

Previously installed nuts require cleaning as follows: Wire brush using a petroleum-based solvent to remove any foreign material on the external surfaces and threads.

Before threading the nut onto the stud, the set screws should be loose and free to turn.

5.2 Stud Preparation

Check the stud for any visible damage. If there is any visible damage, do not use the stud and contact the Riverhawk Company for a replacement stud. Please be prepared to supply the turbine number, weight certification, and digital photographs for evaluation.

CAUTION

It is especially important to check the condition of the conical thread used to tension the stud. Thread damage from previous abuse can lead to failure of the stud or tensioning equipment.

The conical threads of each stud must be clean of grit and dirt before installation or removal. This ensures the proper seating of the puller screw.

5.2.1 Stud Cleaning - New Installations

For new installations, the studs should come sealed from the factory and will need no cleaning.

5.2.2 Stud Cleaning - Old Installations

Previously installed studs may require cleaning. Clean conical threads should have a bright and shiny appearance.

If cleaning is required, follow these steps:

1. Blow out the threads with compressed air to remove loose debris and dry conical threads. Do not apply a solvent or other cleaning solution to the threads as this may chemically attack the stud.
2. Use Stud Cleaning Kit, GT-4354 or a similar 1/2" diameter Brass power brush.



Picture 5B - Brass Power Brush



215 Clinton Road
New Hartford, NY 13413
Tel: +1 315 768 4855
Fax: +1 315 768 4941
Email: info@riverhawk.com

GE DRAWING NUMBER	REV
373A4081	B

3. Insert the brush into an electric drill and set drill to run in a counterclockwise direction at high speed.
4. Work the drill in a circular motion while moving the brush in and out to clean all of the threads. Try not to hold the brush in one place too long, so as not to remove the stud's protective coating.
5. Blow out the threads with compressed air to remove loosened debris.
6. Visually inspect threads for cleanliness. Threads should be bright and shiny.
7. Repeat if any dirt can be seen in the threads.
8. Inspect threads for any damage that may have been caused by previous installation.
9. Do **not** apply "Never Seize" to the stud's threads.
10. Finish the cleaning process by rinsing in a volatile solvent such as acetone and allow the stud to dry.

5.3 Stud Length Measurement

Measure and record the initial lengths of the studs. The following suggestions will improve your results.

- **Plan to start and finish any flange in the same day.**
- **Studs and flange must be at the same temperature.**
- **Number each stud with a marker for later stretch measurement tracking.**
- **Mark the location of measurement on stud end with a permanent marker.**
- **Measure each stud to nearest 0.001 inch (.01 mm).**
- **Record each measurement on the supplied record sheets at the end of this manual.**
- **Do not allow the measuring instruments to sit in the sun.**
- **The same person should make all measurements.**

6.0 Stud and Nut Assembly

Refer to the hardware assembly drawing (HF-xxxx) listed in Section 2.0 of the manual.

1. Assemble the cylindrical nut to the internal, conical thread end of the stud.



215 Clinton Road
New Hartford, NY 13413
Tel: +1 315 768 4855
Fax: +1 315 768 4941
Email: info@riverhawk.com

GE DRAWING NUMBER	REV
373A4081	B

- Slide the stud and cylindrical nut assembly into the flange as shown in Figures 6A and 6B.

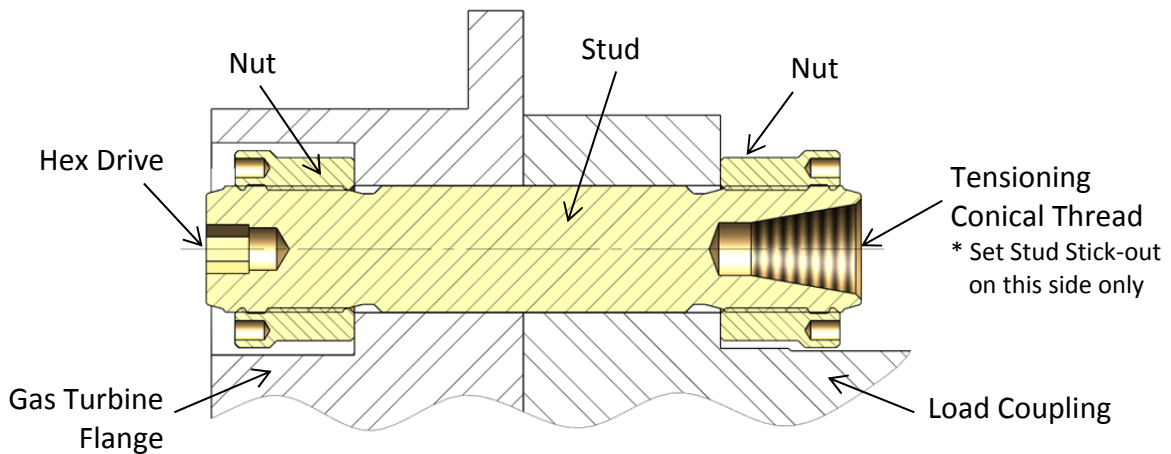


Figure 6A – Cross-section View of Gas Turbine to Load Coupling Bolted Flange Connection

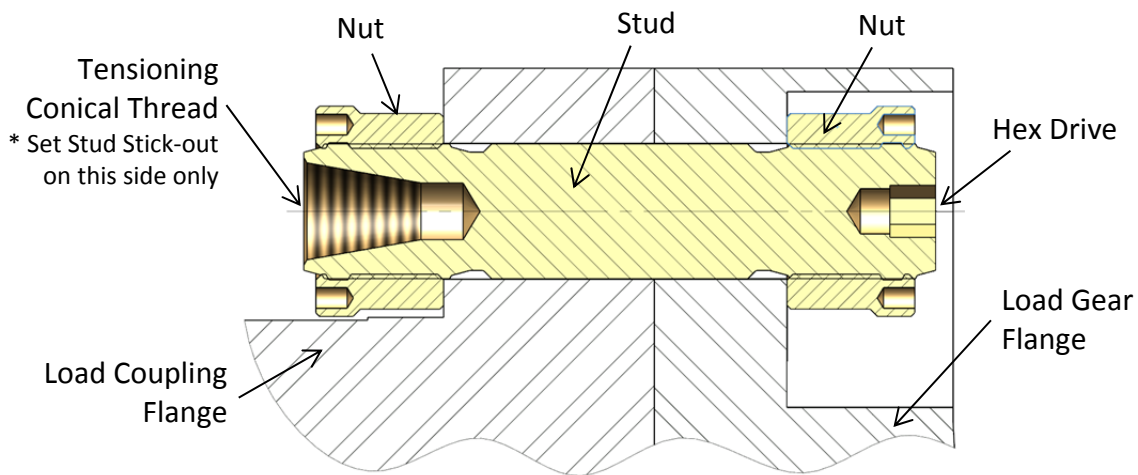


Figure 6B – Cross-section View of Load Coupling to Load Gear Bolted Flange Connection

- Install the other nut on the backside.
- Adjust the nut/stud assembly so that the stud protrudes (or sticks out) from the face of the cylindrical nut the distance specified on the hardware drawing (HF-xxxx). **SETTING THIS PROTRUSION OF STUD TO NUT IS CRITICAL FOR PROPER TENSIONER OPERATION.**



215 Clinton Road
 New Hartford, NY 13413
 Tel: +1 315 768 4855
 Fax: +1 315 768 4941
 Email: info@riverhawk.com

GE DRAWING NUMBER	REV
373A4081	B

5. Hand tighten the assembly to a snug fit.
6. Recheck the stud stick-out length. If the stick-out length does not match the hardware drawing, adjust the nuts as necessary.

7.0 Hydraulic Tensioner Equipment Assembly

7.1 Hydraulic Equipment Inspection

7.1.1 Hydraulic Tensioner Inspection

CAUTION

Riverhawk recommends that the tensioner be returned to Riverhawk for periodic inspections. Replacement of obsolete tensioners is recommended. Functional upgrades are also recommended. Riverhawk should be notified 3-6 months prior to a planned outage to schedule an inspection service.

Do **not** bleed the air from the hydraulic lines and tensioner at this time. See section 8 for bleeding instructions on when to bleed the air from the hydraulic lines.

WARNING

To avoid failure, ensure safety, and proper operation, the tensioner assembly must be installed on a stud in the flange before bleeding and pressurizing the tensioner. Do not use the tensioner at any pressure unless the tool is installed on a stud in a flange.

Clean puller screw and check for any debris and dents.

Inspect the tensioner guard for any signs of damage including cracked welds. Any guards modified in the field should be replaced. Bent guards should be replaced. Also, be sure the rubber pad is in place on the guard, if missing, replace.

Inspect the outside of the tensioner for discoloration patterns that may indicate submersion and internal damage.

Perform an inventory of the loose equipment supplied with the tensioner. An inventory list is provided on the tensioner's technical drawing (Riverhawk HT-xxxx listed in section 2.0 and 4.5). Replacement parts are available from Riverhawk.



215 Clinton Road
New Hartford, NY 13413
Tel: +1 315 768 4855
Fax: +1 315 768 4941
Email: info@riverhawk.com

GE DRAWING NUMBER	REV
373A4081	B

7.1.1.1 Hydraulic Tensioner's Burst Disc Replacement

The hydraulic tensioner's burst disc is a key element in the overall safe use of the hydraulic tensioner. The burst disc's location is shown on the tensioner's technical drawing (Riverhawk HT-xxxx listed in section 2.0 and 4.5).

Each tensioner is shipped from our factory with one burst disc already installed in the tensioner and with another spare disc for field replacement. Extra burst discs are available from Riverhawk for replacement purposes.

To replace a damaged burst disc:

1. Remove the hydraulic port's dispersion nut, compression ring, and damaged burst disc.
2. Discard the damaged burst disc.
3. Clean the dispersion nut, compression ring, new burst disc, and the hydraulic port with a solvent to ensure a dirt-free installation.
4. Reassemble new burst disc, compression ring, and dispersion nut into the same hydraulic port.

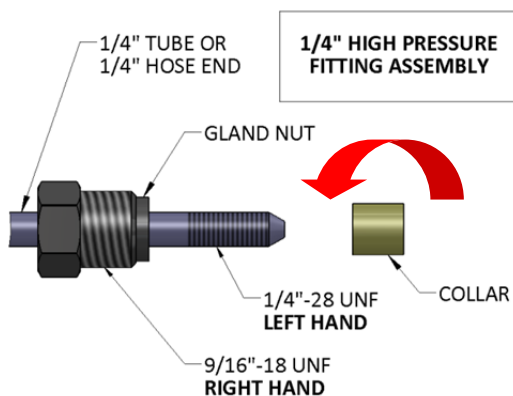
Warning

A damaged burst disc must be replaced with a burst disc of the same design and pressure rating. Do not substitute a damaged burst disc with a different disc type, a different pressure rating, or a foreign object.

7.1.2 Hydraulic Pump Kit Inspection

Refer to the Hydraulic Pump Kit Instruction Manual, IM-293 (GE VENDOC 373A4058). The latest revision may be obtained by contacting Riverhawk Company or thru www.riverhawk.com.

7.2 Hydraulic Fittings



Riverhawk hydraulic pumps use a 1/4" High Pressure port to connect its hydraulic hoses. The hose connector is made from a three piece assembly: a gland nut, a collar, and a 1/4" tube or 1/4" hose end. (See Illustration 1)

To assembly the fitting, slide the gland nut over the 1/4" tube or 1/4" hose end. Turn the collar counter-clockwise (**left hand** thread) on to the tube or hose end as shown in Illustration 1.

Illustration 1



215 Clinton Road
 New Hartford, NY 13413
 Tel: +1 315 768 4855
 Fax: +1 315 768 4941
 Email: info@riverhawk.com

GE DRAWING NUMBER	REV
373A4081	B

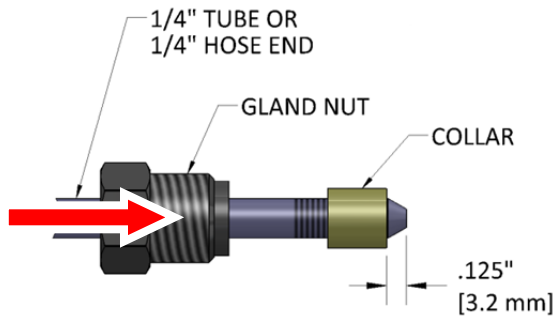


Illustration 2

The collar should be placed .125" (3.2 mm) from the tip of the cone. (See Illustration 2) It may be necessary to adjust this collar with a set of vise-grip pliers. Be careful to not strip the threads off the tube or hose end.

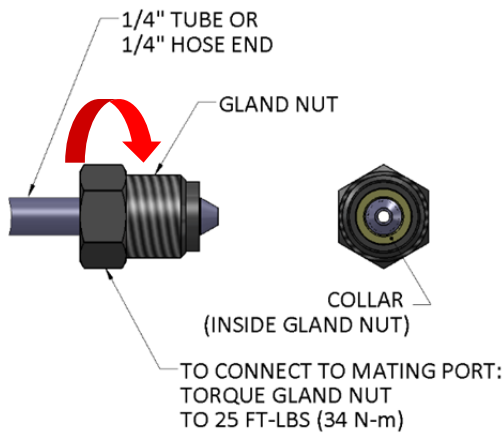


Illustration 3

Slide the gland nut down over the collar. (See Illustration 3) Insert the 1/4" tube or 1/4" hose end into the tensioner's quick coupler. While firmly holding the tube or hose end to stop it from rotating, turn the gland nut clockwise (**right hand** thread) and torque the gland nut to 25 FT-LBS (34 N-m).

Tips:

- Make sure all parts are clean and free from debris.
- Protect the cone on the end of the 1/4" tube or 1/4" hose end from scratches as this is the sealing surface.
- Replace red plastic caps when finished to protect the threads and cone.

8.0 Assembly of Tensioner on a Stud

8.1 Handling of the Tensioner

The tensioner used in this application is designed to require no special lifting instructions. Do not drop any part of the tensioner on the operator or other nearby personnel.



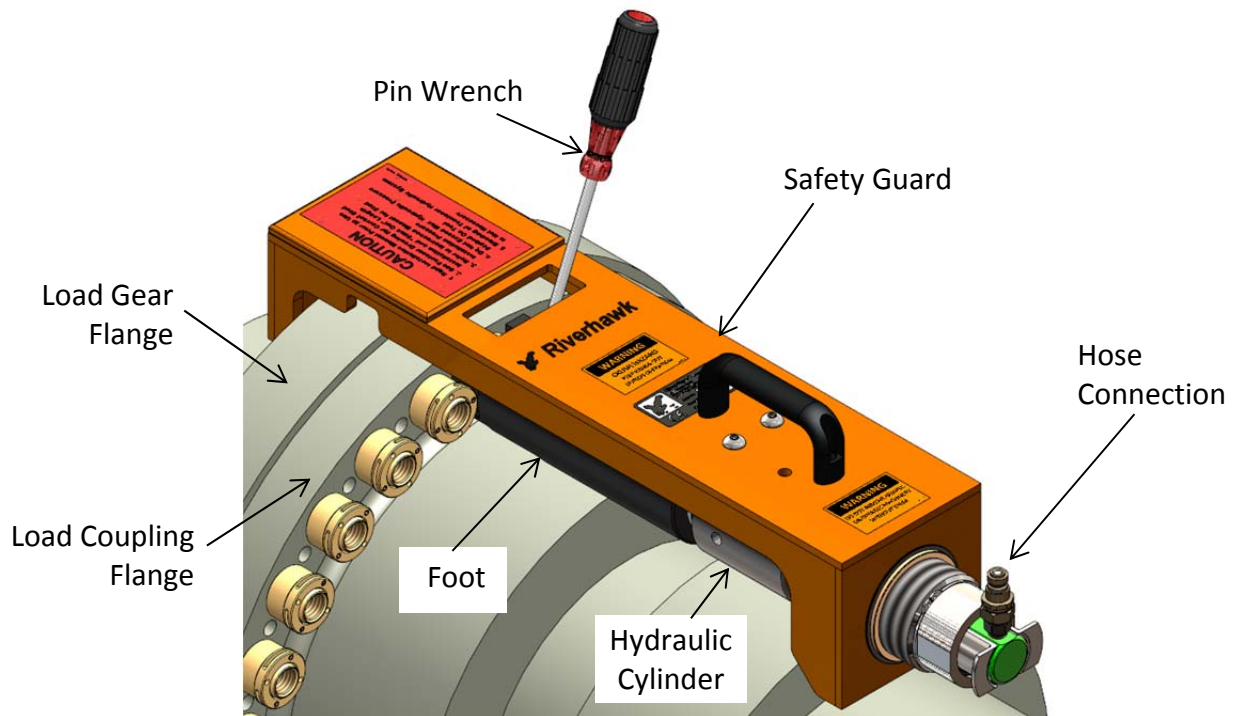
215 Clinton Road
 New Hartford, NY 13413
 Tel: +1 315 768 4855
 Fax: +1 315 768 4941
 Email: info@riverhawk.com

GE DRAWING NUMBER	REV
373A4081	B

8.2 Kit Assembly

Connect the hydraulic hose from the hydraulic pump to the tensioner. **Do not pressurize** the tensioner at this time or you may cause damage to the tensioner.

Refer to the hardware assembly drawing (HF-xxxx) listed in Section 2.0 of this manual and the tensioner assembly drawing (HT-xxxx) listed in Section 4.5 of this manual to determine how the tensioner must be assembled on the load coupling for its correct operation.

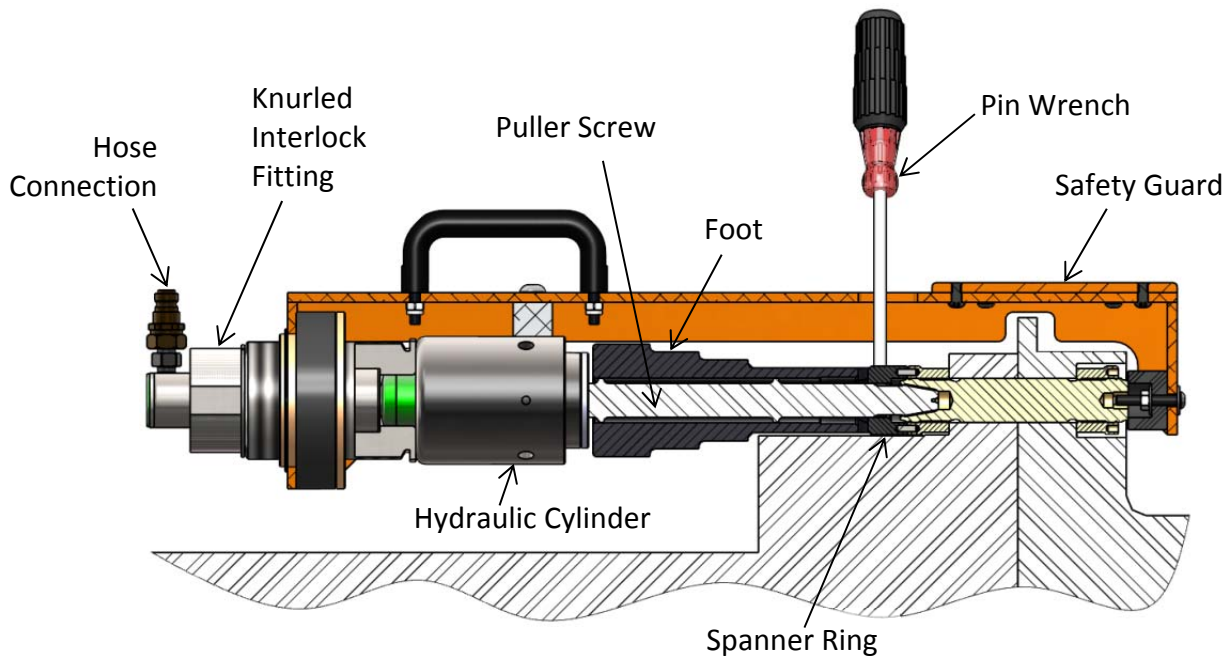


Picture 8A – Features of the Hydraulic Tensioner HT-6865



215 Clinton Road
 New Hartford, NY 13413
 Tel: +1 315 768 4855
 Fax: +1 315 768 4941
 Email: info@riverhawk.com

GE DRAWING NUMBER	REV
373A4081	B



Picture 8B – Cutaway view of Hydraulic Tensioner HT-6865

Note: Before threading the puller screw into the stud, carefully check the cleanliness of both the stud's and the puller screw's conical threads. Apply a light coat of clean turbine oil or a spray lubricant to the puller screw. Do not use "Never Seize" on the conical threads. This procedure will ease assembly and assure positive mating of the threads before tightening.

Assembly sequence is as follows:

1. Open the hydraulic return valve on the pump to allow hydraulic fluid to be pushed back from the puller tool into the pump reservoir. (This is automatic on the air-operated hydraulic pump)
2. Place the spanner ring on the nut.
3. Insert the puller screw into the tapered thread of the stud and hand tighten. **Be sure not to cross-thread the puller screw.**
4. Using an Allen wrench, tighten the puller screw and then back off the puller screw 1/2 a turn.
5. Retighten the puller screw by hand until it is fully inserted. **DO NOT BACK OFF THE PULLER SCREW.**
6. Place the foot over the puller screw and orientate it into position.
7. Thread the tensioner onto the puller screw until it stops. Please note that the internal stop inside the tensioner will cause a gap in between the foot and tensioner. The gap should be



215 Clinton Road
 New Hartford, NY 13413
 Tel: +1 315 768 4855
 Fax: +1 315 768 4941
 Email: info@riverhawk.com

GE DRAWING NUMBER	REV
373A4081	B

1/16" [1.6mm] to 3/16" [4.8mm]. **DO NOT ATTEMPT TO TIGHTEN THE TENSIONER AGAINST THE FOOT.**

8. Place the guard over the tensioner and position the guide pin into the hole in the backside of the stud.
9. Tighten the knurled interlock fitting by hand until it firmly presses against the tensioner. There should be no gap between the tensioner the interlock fitting.
10. Activate the custom connector from the rear of guard by pushing on the center with your thumb and pulling the tabs with your fore finger and middle finger. Push the assembly forward until it locks into the tensioner. Release fingers from the tabs and then remove thumb, Ensure connection is firmly engaged or else the tensioner will not be connected to the pump.



Picture 8E - Activation of the safety interlock

11. Connect the hydraulic pump to the tensioner. The tensioner should now be completely assembled and ready for use.

8.3 Bleeding Hydraulic System

WARNING

To avoid failure, ensure safety, and proper operation, the tensioner assembly must be installed on a stud in the flange before bleeding and pressurizing the tensioner. Do not use the tensioner at any pressure unless the tool is installed on a stud in a flange.



215 Clinton Road
New Hartford, NY 13413
Tel: +1 315 768 4855
Fax: +1 315 768 4941
Email: info@riverhawk.com

GE DRAWING NUMBER	REV
373A4081	B

Bleeding of the hydraulic system is not necessary with this tensioner design.

9.0 Stud Tensioning

The studs will be tensioned in two steps, at 50% pressure and at final pressure. Follow the tensioning sequence for each flange joint as defined on the record sheets found at the end of this manual.

9.1 Tensioning at 50% pressure

After the tensioner is properly installed apply hydraulic pressure to the tool. Bring the pressure to the 50% level in accordance with the following table.

WARNING

The safety cage must be in place at all times. Keep hands out of designated areas at all times when the tensioner is pressurized otherwise personal injury can occur.

CAUTION

Before threading the puller screw into the stud, carefully check the cleanliness of both the stud's and the puller screw's conical threads. Apply a light coat of clean turbine oil or a spray lubricant to the puller screw. This procedure will ease assembly and assure positive mating of the threads before tightening. Do not use "Never Seize" on the conical threads.

CAUTION

Do not exceed the maximum pressure marked on the tensioner. Excessive pressure can damage the stud and puller screw.

CAUTION

Do not tighten the nut while the tool is coming up to pressure; wait until pressure is achieved before attempting to tighten the nut with the spanner ring. If the tool is not properly installed, the tool could jump off the stud while coming up to pressure.

<u>Flange Position</u>	<u>Stud Size</u>	<u>50% Pressure</u>	<u>50% Stretch</u>
Gas Turbine to Load Coupling	1-1/8" [29 mm]	9000 psi [620 bar]	Do not measure Do not use
Load Coupling to Load Gear	1-1/8" [29 mm]	9000 psi [620 bar]	Do not measure Do not use



215 Clinton Road
New Hartford, NY 13413
Tel: +1 315 768 4855
Fax: +1 315 768 4941
Email: info@riverhawk.com

GE DRAWING NUMBER	REV
373A4081	B

Firmly tighten the cylindrical nuts with approximately 10 ft·lbs [13.5 N·m] of torque using the pin wrench and spanner ring. Continue to turn the nut until it contacts the flange.

9.2 Removing the Tensioner from an Installed Stud

The tensioner removal is accomplished by the follows steps:

1. Release the hydraulic pressure by either releasing the hand switch on the AP-0532 Pump Kit or by opening the valve on the MP-0130 Manual Pump Kit and leave the valve open.
2. Unscrew the knurled interlock fitting at the end of the guard and remove the guard from the tensioner.
3. Unscrew the tensioner from puller screw.
4. Remove foot from around the puller screw.
5. Unscrew the puller screw using an Allen wrench. Tapping the Allen wrench with a hammer or the use of a breaker bar may be necessary to loosen the puller screw. Do not use an impact wrench as this can damage the puller screw.
6. Remove the spanner ring from the nut.
7. Move the tool to the next bolt hole following the tensioning pattern from the stretched record sheets at the end of this manual.

9.3 Tensioning at Final Pressure

Repeat the pulling and tightening procedure stated above at full pressure. After all of the studs have been tensioned, measure the final stud length. The final pressure and required stretch values are listed in the following table.

WARNING

The safety cage must be in place at all times. Keep hands out of designated areas at all times when the tensioner is pressurized otherwise personal injury can occur.

CAUTION

Before threading the puller screw into the stud, carefully check the cleanliness of both the stud's and the puller screw's conical threads. Apply a light coat of clean turbine oil or a spray lubricant to the puller screw. This procedure will ease assembly and assure positive mating of the threads before tightening. Do not use "Never Seize" on the conical threads.

CAUTION

Do not exceed the maximum pressure marked on the tensioner. Excessive pressure can damage the stud and puller screw.



215 Clinton Road
 New Hartford, NY 13413
 Tel: +1 315 768 4855
 Fax: +1 315 768 4941
 Email: info@riverhawk.com

GE DRAWING NUMBER	REV
373A4081	B

CAUTION

Do not tighten the nut while the tool is coming up to pressure; wait until pressure is achieved before attempting to tighten the nut with the spanner ring. If the tool is not properly installed, the tool could jump off the stud while coming up to pressure.

<u>Flange Position</u>	<u>Stud Size</u>	<u>Final Pressure</u>	<u>Final Stretch</u>
Gas Turbine to Load Coupling	1-1/8" [29 mm]	18000 psi [1240 bar]	0.009" - 0.011" [0.23 mm - 0.28 mm]
Load Coupling to Load Gear	1-1/8" [29 mm]	18000 psi [1240 bar]	0.008" - 0.010" [0.20 mm - 0.25 mm]

Firmly tighten the cylindrical nuts with approximately 10 ft·lbs [13.5 N·m] of torque using the pin wrench and spanner ring. Continue to turn the nut until it contacts the flange.

Failure to achieve the correct final stretch values will result in an incorrectly tensioned stud.

Incorrect stretch values can be corrected by uninstalling some or all of the selected studs. Re-measure the initial length of the studs and repeat the installation instructions studs. Excessive stretch variations can also be corrected by the same method.

Have final stretch values approved by the supervisor responsible for the installation.

10.0 Thread Locking the Nut

Once pulling and tensioning is completed all stud nuts must be locked in position. Riverhawk hardware employs a reusable mechanical locking device.



215 Clinton Road
 New Hartford, NY 13413
 Tel: +1 315 768 4855
 Fax: +1 315 768 4941
 Email: info@riverhawk.com

GE DRAWING NUMBER	REV
373A4081	B



Picture 10A - Riverhawk Locknut

Mechanical lock nuts have two set screws located in the top face. During the initial steps of the installation procedure, before threading the nut onto the stud, the set screws should have been loose and free to turn.

Once the nut is seated, torque the set screws to the values specified in the following table. When seated and torqued to the values specified, the load created by the set screw displaces the thread of the nut in the area of the web thereby creating the desired locking action.

<u>Flange Position</u>	<u>Stud Size</u>	<u>Set Screw Size</u>	<u>Torque</u>
Gas Turbine to Load Coupling	1-1/8" [29 mm]	#10-32UN	30 in·lbs - 36 in·lbs [3.4 N·m – 4.1 N·m]
Load Coupling to Load Gear	1-1/8" [29 mm]	#10-32UN	30 in·lbs - 36 in·lbs [3.4 N·m – 1.1 N·m]

11.0 Stud and Nut Removal

11.1 Handling of the Tensioner

The tensioner used in this application is designed for no special lifting instructions. Do not drop any part of the tensioner on the operator or other nearby personnel.



215 Clinton Road
New Hartford, NY 13413
Tel: +1 315 768 4855
Fax: +1 315 768 4941
Email: info@riverhawk.com

GE DRAWING NUMBER	REV
373A4081	B

11.2 Stud and Nut Removal

WARNING

The safety cage must be in place at all times. Keep hands out of designated areas at all times when the tensioner is pressurized otherwise personal injury can occur.

CAUTION

Before threading the puller screw into the stud, carefully check the cleanliness of both the stud's and the puller screw's conical threads. Apply a light coat of clean turbine oil or a spray lubricant to the puller screw. This procedure will ease assembly and assure positive mating of the threads before tightening. Do not use "Never Seize" on the conical threads.

CAUTION

Do not exceed the maximum pressure marked on the tensioner. Excessive pressure can damage the stud and puller screw.

CAUTION

Do not tighten the nut while the tool is coming up to pressure; wait until pressure is achieved before attempting to tighten the nut with the spanner ring. If the tool is not properly installed, the tool could jump off the stud while coming up to pressure.

Refer to the hardware assembly drawing (HF-xxxx) listed in Section 2.0 of this manual and the tensioner assembly drawing (HT-xxxx) listed in Section 4.5 of this manual to determine how the tensioner must be assembled on the load coupling for its correct operation.

Section 8.0 contains diagrams of the tensioner equipment.

Note: Before threading the puller screw into the stud, carefully check the cleanliness of both the stud's and the puller screw's conical threads. Apply a light coat of clean turbine oil or a spray lubricant to the puller screw. Do not use "Never Seize" on the conical threads. This procedure will ease assembly and assure positive mating of the threads before tightening.

Disassembly sequence is as follows:

1. If present, remove the windage plugs from the studs by loosening the plug's set screws with an Allen wrench and then unscrew the plug from the stud. It may be necessary to use either a flat-bladed screwdriver or another Allen wrench to stop the windage plug from rotating. Do not misplace the set screws.
2. Using a wire brush (GT-4354) and shop air, clean the internal tapered thread of the stud to remove any debris/deposits which may have accumulated during service as described in section 5.2.2. Do not continue until ALL debris is removed from the threads.



215 Clinton Road
New Hartford, NY 13413
Tel: +1 315 768 4855
Fax: +1 315 768 4941
Email: info@riverhawk.com

GE DRAWING NUMBER	REV
373A4081	B

WARNING

Do not use a hydraulic tensioner to remove a stud with damaged conical threads.

3. With an Allen wrench, loosen the nut's two locking set screws but do not remove them from the nut.



Picture 11A - Loosening of a nut's set screws

4. Connect the hydraulic hose from the hydraulic pump to the tensioner. **Do not pressurize** the tensioner at this time or you may cause damage to the tensioner.
5. Open the hydraulic return valve on the pump to allow hydraulic fluid to be pushed back from the puller tool into the pump reservoir. (This is automatic on the air-operated hydraulic pump)
6. Place the spanner ring on the nut.
7. Insert the puller screw into the tapered thread of the stud and hand tighten. **Be sure not to cross-thread the puller screw.**
8. Using an Allen wrench, tighten the puller screw and then back off the puller screw 1/2 a turn.
9. Retighten the puller screw by hand until it is fully inserted. **DO NOT BACK OFF THE PULLER SCREW.**
10. Place the foot over the puller screw and orientate it into position.
11. Thread the tensioner onto the puller screw until it stops. Please note that the internal stop inside the tensioner will cause a gap in between the foot and tensioner. The gap should be 1/16" [1.6mm] to 3/16" [4.8mm]. **DO NOT ATTEMPT TO TIGHTEN THE TENSIONER AGAINST THE FOOT.**



215 Clinton Road
New Hartford, NY 13413
Tel: +1 315 768 4855
Fax: +1 315 768 4941
Email: info@riverhawk.com

GE DRAWING NUMBER	REV
373A4081	B

12. Place the guard over the tensioner and position the guide pin into the hole in the backside of the stud.
13. Tighten the knurled interlock fitting by hand until it firmly presses against the tensioner. There should be no gap between the tensioner the interlock fitting.
14. Activate the custom connector from the rear of guard by pushing on the center with your thumb and pulling the tabs with your fore finger and middle finger. Push the assembly forward until it locks into the tensioner. Release fingers from the tabs and then remove thumb, Ensure connection is firmly engaged or else the tensioner will not be connected to the pump.



Picture 11B - Activation of the safety interlock

15. Connect the hydraulic pump to the tensioner and apply the appropriate hydraulic pressure per this table.

<u>Flange Position</u>	<u>Stud Size</u>	<u>Final (100%) Pressure</u>
Gas Turbine to Load Coupling	1-1/8" [29 mm]	18000 psi [1240 bar]
Load Coupling to Load Gear	1-1/8" [29 mm]	18000 psi [1240 bar]



215 Clinton Road
 New Hartford, NY 13413
 Tel: +1 315 768 4855
 Fax: +1 315 768 4941
 Email: info@riverhawk.com

GE DRAWING NUMBER	REV
373A4081	B

16. Turn the spanner ring with the pin wrench. Loosen and turn the nut approximately 3/4 of a turn.
17. Release the hydraulic pressure.

11.3 Removing the Tensioner from a Stud

The tensioner removal is accomplished by the follows steps:

1. Release the hydraulic pressure by either releasing the hand switch on the AP-0532 Pump Kit or by opening the valve on the MP-0130 Manual Pump Kit and leave the valve open.
2. Unscrew the knurled interlock fitting at the end of the guard and remove the guard from the tensioner.
3. Unscrew the tensioner from puller screw.
4. Remove foot from around the puller screw.
5. Unscrew the puller screw using an Allen wrench. Tapping the Allen wrench with a hammer or the use of a 1'-2' breaker bar may be necessary to loosen the puller screw. Do not use an impact wrench as this can damage the puller screw.
6. Remove the spanner ring from the nut.
7. Move the tool to the next bolt hole following the tensioning pattern from the stretched record sheets at the end of this manual.

12.0 Storage Instructions

Follow these directions to properly store your hydraulic tensioner and hydraulic pump kit for long term storage and shipment.

If any damage is observed, contact the Riverhawk Company to schedule a maintenance inspection.

12.1 Hydraulic Pump Kit Storage

Refer to the Hydraulic Pump Kit Instruction Manual, IM-293 (GE VENDOC 373A4058). The latest revision may be obtained by contacting Riverhawk Company or thru www.riverhawk.com.

12.2 Hydraulic Tensioner Storage

Check the tensioner for any damage:



215 Clinton Road
New Hartford, NY 13413
Tel: +1 315 768 4855
Fax: +1 315 768 4941
Email: info@riverhawk.com

GE DRAWING NUMBER	REV
373A4081	B

1. Clean puller screw and check for any debris and dents.
2. Knurled interlock fitting should be clean and free to rotate.
3. Inspect the tensioner guard for any signs of damage. Bent guards must be replaced.

If any damage is observed, contact the Riverhawk Company to schedule a maintenance inspection.

Place the protective plastic cap on the guard's knurled interlock fitting.

Coat the hydraulic tensioner with a light coat of oil and place the tensioner into the original shipping container.

12.3 Store shipping container

Secure the hydraulic pump and hydraulic tensioner into the original shipping containers using the supplied wood braces.

Seal the original shipping container and store under shelter and protected from moisture, sand, and grit.

13.0 Frequently Asked Questions

This section contains some frequently asked questions and problems. If the steps listed here do not solve your problem, contact the Riverhawk Company thru our website, email, or phone call.

Q: Can I rent a hydraulic tensioner kit?

A: Yes, Riverhawk has rental tensioner kits available for most of our hydraulic tensioners.

Q: A tensioner has pulled itself out of the stud's conical threads. Can I continue using a tensioner on this stud?

A: No. Both the tensioner and the stud may have been damaged and must be removed from the work area. If the stud is tensioned, a Nut Buster repair kit, from Riverhawk, must be used to remove the damaged stud by drilling out the nut. Leaving a damaged stud in place will lead to a safety hazard on future outages.



215 Clinton Road
New Hartford, NY 13413
Tel: +1 315 768 4855
Fax: +1 315 768 4941
Email: info@riverhawk.com

GE DRAWING NUMBER	REV
373A4081	B

Riverhawk can supply a replacement stud and nut based on the initial weight certification supplied with the hardware set (see section 4.2). The damaged tensioner should also be returned to Riverhawk for inspection and repair.

If a stud must be left in place, paint the damaged stud with a generous amount of indelible, bright-colored paint. Notify the appropriate GE Safety and Service personnel. Note the location of the damaged stud in the services notes for the machine.

Q: The hydraulic tensioner has been taken up to its final pressure. The final stretch length is short of the final stretch target. What is the next step?

A: Do not increase the hydraulic pressure. Check if the hydraulic pump is set to the right pressure. Install the tensioner and re-pressurize the tensioner to the final pressure then recheck the stretch measurement. If the stretch value is still short, remove the stud from the hole and re-measure the stud's initial length then try to install the stud again.

Q: The hydraulic tensioner has been taken up to its final pressure. The final stretch length is larger than the final stretch target. What is the next step?

A: Remove the stud from the bolt hole. Check if the hydraulic pump is set to the right pressure. Re-measure the stud's initial length then try to install the stud again.

Q: The tensioner is at its final pressure, but the nut cannot be loosened.

A: If the nuts cannot be loosened at the final pressure, continually increasing the pressure will not help and can be dangerous and in some cases make it harder to remove the nut. Check the nut to see if its set screws have been loosened. Check for and remove any corrosion around the nut's threads. Apply penetrating oil between the stud and the nut.

Q: How do I clean the conical threads on a stud?

A: The conical threads are best cleaned using a spiral wound brass brush in a drill as described in section 5.2.2



215 Clinton Road
New Hartford, NY 13413
Tel: +1 315 768 4855
Fax: +1 315 768 4941
Email: info@riverhawk.com

GE DRAWING NUMBER	REV
373A4081	B

- Q:** During the initial steps of removing a tensioned stud, the stick-out length is found to be wrong.
- A:** Do not proceed. Contact Riverhawk for assistance. With the wrong stick-out length, the hydraulic tensioner has a limited stroke and may not work properly and can be damaged.
- Q:** The hydraulic pump appears to be leaking.
- A:** Check the hose connection to the hydraulic pump. If the 1/4" high pressure fitting is not assembled correctly as shown in section 7.2, it may look like the pump is leaking. If the problem continues, it may be necessary to open the pump kit. Contact Riverhawk for guidance.
- Q:** The hydraulic hose has a collar on it that can't be moved by hand
- A:** The hydraulic fitting is shown in section 7.2. The collar is sometimes held in place with a thread locking compound. This prevents the collar from moving too easily. It may be necessary to adjust this collar with a set of vise-grip pliers. Be careful to not strip the threads off the tube or hose end.

14.0 Revision History

Revision Letter	Effective Date	Description
B	Sep 28, 2016	Added 114T4434P007, P008, P009 to sections 2, 4.5, and the title page
A	Apr 29, 2016	Added 114T4434P004, P005, P006 to sections 2, 4.5, and the title page
-	May 8, 2015	Released



215 Clinton Road
 New Hartford, NY 13413
 Tel: +1 315 768 4855
 Fax: +1 315 768 4941
 Email: info@riverhawk.com

GE DRAWING NUMBER	REV
373A4081	B

Appendix A1

EC Declaration of Conformity

Manufacturer: Riverhawk Company
Address: 215 Clinton Road
New Hartford NY, 13413, USA

The hydraulic pump and bolt tensioning tool described in this manual are used for installing and applying tension to large bolts that are specifically designed by Riverhawk Company to be tensioned hydraulically.

All applicable sections of European Directive 2006/42/EC for machinery have been applied and fulfilled in the design and manufacture of the hydraulic pump and bolt tensioning tool described in this manual. Reference also ISO 12100:2010, ISO 4413, and ISO 4414.

Furthermore, this equipment has been manufactured under the Riverhawk quality system per EN ISO 9001:2008

Consult the Declaration of Conformance included with the shipment of this equipment that identifies the authorized Riverhawk representative, applicable serial numbers, and appropriate signature.



215 Clinton Road
New Hartford, NY 13413
Tel: +1 315 768 4855
Fax: +1 315 768 4941
Email: info@riverhawk.com

GE DRAWING NUMBER	REV
373A4081	B

Appendix B1

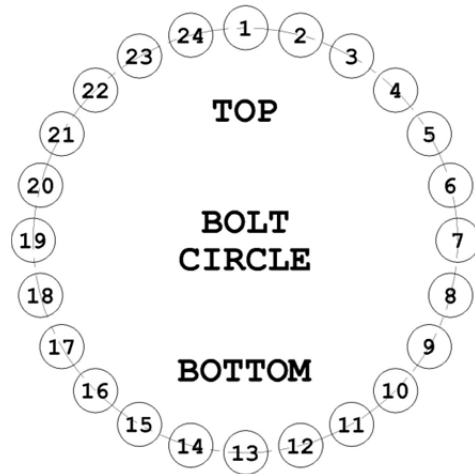
STRETCH RECORD SHEET FOR
THE GAS TURBINE TO LOAD COUPLING

TURBINE NUMBER:

DATE:

TECHNICIAN:

SUPERVISOR:



HOLE NUMBER	STARTING LENGTH	FINAL LENGTH	FINAL STRETCH
1			
13			
14			
2			
3			
15			
16			
4			
5			
17			
18			
6			
7			
19			
20			
8			
9			
21			
22			
10			
11			
23			
24			
12			



215 Clinton Road
New Hartford, NY 13413
Tel: +1 315 768 4855
Fax: +1 315 768 4941
Email: info@riverhawk.com

GE DRAWING NUMBER	REV
373A4081	B

Appendix B2

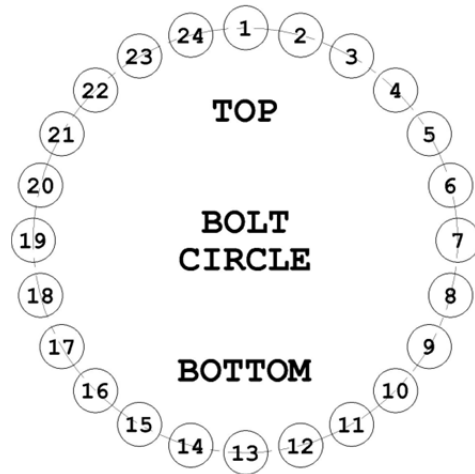
STRETCH RECORD SHEET FOR
THE LOAD COUPLING TO LOAD GEAR

TURBINE NUMBER:

DATE:

TECHNICIAN:

SUPERVISOR:



HOLE NUMBER	STARTING LENGTH	FINAL LENGTH	FINAL STRETCH
1			
13			
14			
2			
3			
15			
16			
4			
5			
17			
18			
6			
7			
19			
20			
8			
9			
21			
22			
10			
11			
23			
24			
12			



215 Clinton Road
New Hartford, NY 13413
Tel: +1 315 768 4855
Fax: +1 315 768 4941
Email: info@riverhawk.com

GE DRAWING NUMBER	REV
373A4081	B