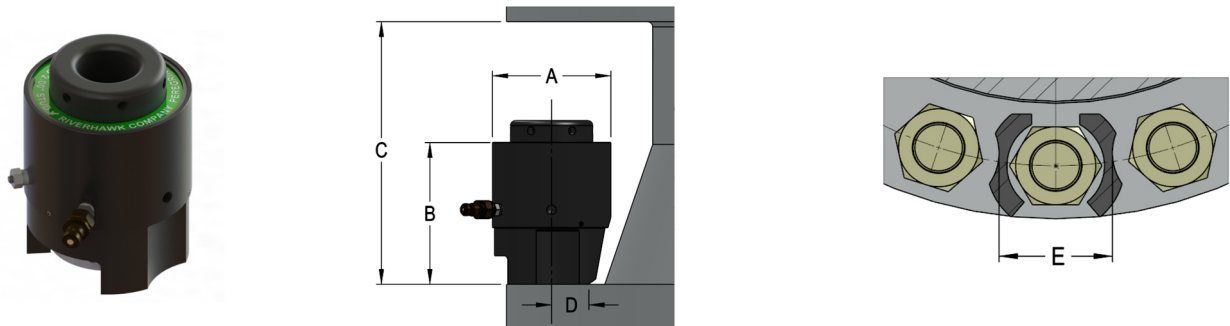


RIVERHAWK FL SERIES HYDRAULIC BOLT TENSIONER DATA SHEET

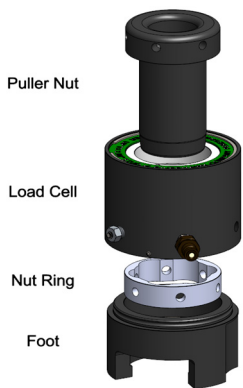


Last Updated: 06/18/15

Frame Size	Stud Diameter	Load Cell Drawing	Adapter Kit Drawing	Hydraulic Ram Area		Maximum Load		Maximum Lifting Weight		Tool Diameter (A)		Tool Height (B)		Installation Clearance Height (C)		Minimum Radial Clearance (D)		Minimum Foot Width (E)	
				in ²	mm ²	lbf	kN	lbs	kg	in	mm	in	mm	in	mm	in	mm	in	mm
2	M30	PET-6977	AK-6991	5.85	3,777	127,310	566	13.6	6.2	4.54	115	5.82	148	11.2	284	1.31	33.1	2.97	75.4
	1.250		AK-6992					13.6	6.2					11.1	282				
	M33		AK-6993					13.5	6.1					11.1	282				
	1.375		AK-6994					14.1	6.4					11.2	284				
	M36		AK-6995					14.0	6.4					11.2	284				
	1.500		AK-6996					14.0	6.4					11.1	282				
M39	AK-6997	13.9	6.3	11.1	282														
3	1.625	PET-6978	AK-6998	9.72	6,271	211,390	940	22.9	10.4	5.57	141	6.61	168	12.6	320	1.55	39.4	3.81	96.7
	M42		AK-6999					22.6	10.3					12.6	320				
	1.750		AK-7000					22.6	10.3					12.4	315				
	M45		AK-7001					22.6	10.3					12.4	315				
	1.875		AK-7002					23.3	10.6					12.8	325				
	M48		AK-7003					23.0	10.4					12.8	325				
2.000	AK-7004	23.0	10.4	12.7	323														
M52	AK-7005	22.9	10.4	12.7	323														
4	2.125	PET-6979	AK-7006	14.91	9,620	324,290	1,443	35.9	16.3	6.75	171	7.58	192	14.0	356	2.15	54.6	5.09	129
	M56		AK-7007					35.3	16.0					13.9	353				
	2.250		AK-7008					35.5	16.1					13.9	353				
	M60		AK-7009					35.0	15.9					13.8	351				
	2.375		AK-7010					35.0	15.9					13.8	351				
	2.500		AK-7011					34.4	15.6					13.6	345				
M64	AK-7012	34.3	15.6	13.6	345														
5	2.625	PET-6980	AK-7013	21.65	13,966	470,830	2,094	55.0	24.9	8.04	204	8.29	211	15.1	384	2.74	69.5	6.03	153
	M68		AK-7014					54.8	24.9					15.0	381				
	2.750		AK-7015					54.4	24.7					14.9	378				
	M72		AK-7016					54.2	24.6					14.8	376				
	2.875		AK-7017					53.8	24.4					14.8	376				
	M76		AK-7018					53.4	24.2					14.7	373				
3.000	AK-7019	53.2	24.1	14.7	373														
6	3.125	PET-6981	AK-7020	26.51	17,101	576,530	2,565	70.0	31.8	8.86	225	8.93	227	15.9	404	3.18	80.8	7.34	186
	M80		AK-7021					70.2	31.8					15.9	404				
	3.250		AK-7022					69.3	31.4					15.8	401				
	M85		AK-7023					68.9	31.3					15.7	399				
	3.375		AK-7024					68.6	31.1					15.7	399				
	3.500		AK-7025					67.7	30.7					15.5	394				
M90	AK-7026	68.1	30.9	15.5	394														

Notes:

- 1) Maximum Operating Pressure: 21,750 psi (1500 bar)
- 2) Maximum Piston Stroke: 0.590 in (15 mm)
- 3) Maximum lifting weight excludes puller nut weight
- 4) Instruction manual provided
- 5) All frames have spring return, stroke indicator, and overstroke protection
- 6) All tools are tested at maximum pressure prior to shipping
- 7) CE marked
- 8) Multiple tools can be linked together for simultaneous tensioning
- 9) FL Series Tensioners were designed to fit on all ASME 16.47, ASME 16.5, and API-6A Flanges
- 10) Dimensions are subject to change due to continual product development



Complete Peregrine Tensioner consists of a LOAD CELL and an ADAPTER KIT

Adapter Kit includes:
 -Puller Nut
 -Nut Ring
 -Foot



215 Clinton Road
 New Hartford, New York 13413
 Ph. 315.768.4855
 info@riverhawk.com
 www.riverhawk.com