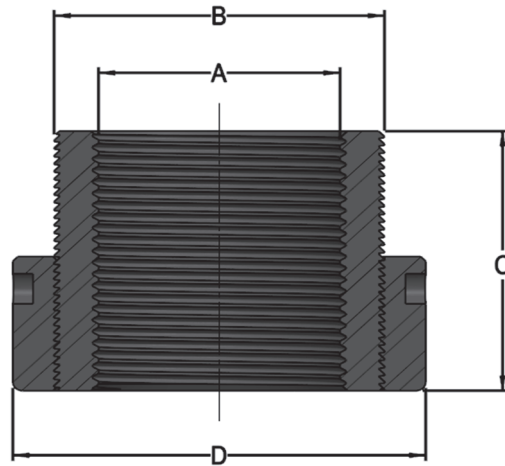
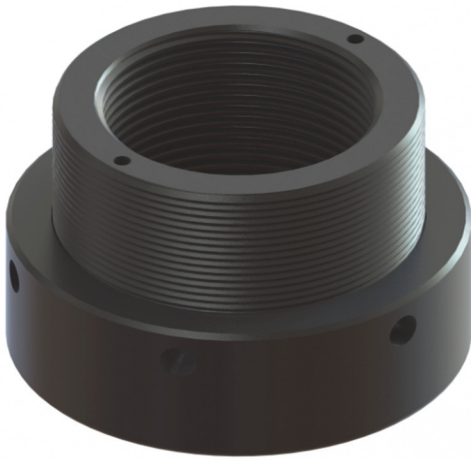


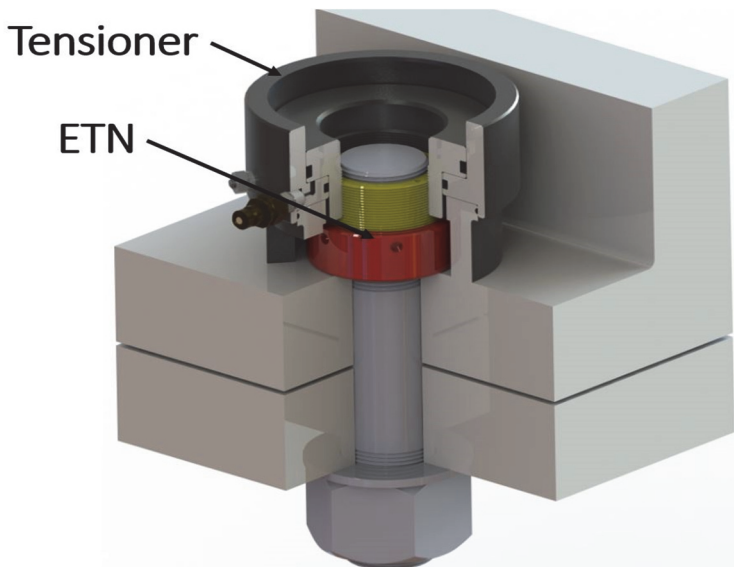
RIVERHAWK EXTERNALLY TENSIONED NUT DATA SHEET

Rev A
09/06/2017



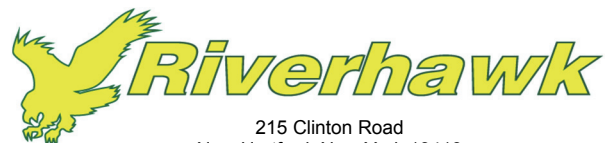
Tensioner Frame Size	Part Number	Nominal Thread Diameter	Outside Diameter	Tensioner Thread Diameter	Height	Preload*	Nut Weight	Tensioner Outside Diameter
		' A ' (inches)	' D ' (inches)	' B ' (inches)	' C ' (inches)	(lbs)	(lbs)	(inches)
1	ETN-0750	3/4	1.39	1.125	0.80	24,500	0.2	3.00
	ETN-0875	7/8	1.59	1.312	0.88	31,200	0.3	
	ETN-1000	1	1.80	1.438	1.13	45,400	0.4	
	ETN-1125	1-1/8	2.03	1.625	1.13	47,100	0.5	
2	ETN-1250	1-1/4	2.20	1.750	1.38	67,000	0.7	4.06
	ETN-1375	1-3/8	2.42	2.000	1.44	79,600	1.0	
3	ETN-1500	1-1/2	2.63	2.125	1.75	94,000	1.3	5.41
	ETN-1625	1-5/8	2.84	2.312	1.88	110,000	1.7	
	ETN-1750	1-3/4	3.06	2.500	2.00	127,000	2.1	
	ETN-1875	1-7/8	3.28	2.625	2.19	143,600	2.5	
4	ETN-2000	2	3.50	2.875	2.25	165,100	3.1	7.00
	ETN-2250	2-1/4	3.94	3.250	2.63	195,000	4.6	
	ETN-2500	2-1/2	4.38	3.500	3.25	262,000	6.7	
5	ETN-2750	2-3/4	4.70	3.875	3.38	298,400	8.1	8.11
6	ETN-3000	3	5.19	4.250	3.96	384,000	11.6	10.21
	ETN-3250	3-1/4	5.53	4.500	4.19	430,400	13.5	
7	ETN-3500	3-1/2	6.13	5.000	4.63	529,000	19.1	10.80
8	ETN-3750	3-3/4	6.56	5.375	4.75	579,000	22.4	12.00
9	ETN-4000	4	7.00	5.750	5.00	662,000	27.4	13.20

Dimensions subject to change due to continual product development



Notes:

- 1) Standard external tensioned nut design fits inside the clearance envelope of ANSI standard heavy hex nut.
- 2) * Preload capability assumes stud efficiency of 1.25
- 3) Detailed instruction manual provided with each tool.
- 4) All tools are tested at maximum pressure prior to shipment.
- 5) Multiple tools can be linked together for simultaneous tensioning.
- 6) Custom designs available if above designs do not fit your application



215 Clinton Road
New Hartford, New York 13413
Ph. 315.768.4855
info@riverhawk.com
www.riverhawk.com